

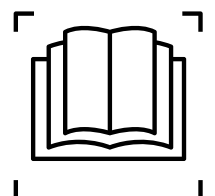


**ELECTRIC
FRYERS**

**INSTRUCTION FOR INSTALLATION AND USE
DIE GEBRAUCHS UND INSTALLATIONSANWEISUNG
NOTICE D'INSTALLATION ET D'EMPLOI
INSTRUCTIE VOOR INSTALLATIE EN GEBRUIK
NÁVOD K OBSLUZE A INSTALACI
INSTRUKCJE MONTAŻU I OBSŁUGI
ISTRUZIONI PER L'INSTALLAZIONE E L'USO
GHID DE INSTALARE SI UTILIZARE**



**FTH 30 EL, FTR 30 EL, FTH-C 30 EL, FTR-C 30 EL, FTH 60 EL, FTH-C 60 EL,
FTHR 60 EL, FTHR-C 60 EL, FTH 90 EL, FTH-C 90 EL**





CONTENT

Declaration of a standards conformity	3
Instruction for use	7
Cleaning and maintenance	8

INHALT



Die Normenübereinstimmungsdeklaration	9
Gebrauchsanweisung	13
Die Reinigung und Instandhaltung	15

CONTENU



Déclaration de conformité	16
Mode d'emploi	20
Nettoyage et entretien	21

INHOUD



De verklaring van overeenstemming met de normen	22
Gebruiksaanwijzing	27
Reiniging en onderhoud	28

OBSAH



Prohlášení o souladu s normami	32
Návod k použití	36
Čistění a údržba	37

TREŚĆ



Oświadczenie o zgodności z normami	38
Instrukcja obsługi	41
Czyszczenie i konserwacja	42

CONTENUTO



Dichiarazione sulla conformità con le normative	48
Istruzioni per l'uso	51
Pulizia e manutenzione	52

CONȚINUT



Declarație de conformitate cu regulile	56
Ghid de utilizare	60
Curățare și mentenanță	61

DECLARATION OF A STANDARDS CONFORMITY

The producer confirms that the devices agree with 2014/30/EU, 2014/35/EU standards, rule nr. 117/2016 sb., 118/2016 sb. and with relevant government orders. Instalation must be done with respect to valid standards. Attention, the producer refuses any responsibility in case of direct or indirect damages which are caused due to wrong instalation, incorrect intervention or modification, insufficient maintenance, incorrect use and also possibly caused by other reasons presented by items in sale conditions. This appliance is set only for skilled use and must be operated by qualified persons only. Parts set and secured by the producer or accredited person must not be rebuilt by user.

TECHNICAL DATA

Label with technical data is placed on the back side of the device. Study the electrical diagram of connection and all following information before instalation.

MODEL	VOLTAGE (V)	WATTAGE (KW)	TOP DIMENSIONS (CM)	DIMENSIONS (CM)
FTH – 30EL	230	3	32 x 48	33 x 60 x 29 v
FTR – 30EL	230	3	32 x 48	33 x 60 x 29 v
FTHC – 30EL	230	3	32 x 48	33 x 60 x 29 v
FTRC – 30E	230	3	32 x 48	33 x 60 x 29 v
FTH – 60EL	400	6	65 x 48	66 x 60 x 29 v
FTHR – 60EL	400	6	65 x 48	66 x 60 x 29 v
FTHC – 60EL	400	6	65 x 48	66 x 60 x 29 v
FTHRC – 60EL	400	6	65 x 48	66 x 60 x 29 v
FTH – 90EL	400	9	97 x 48	99 x 60 x 29 v
FTHC – 90EL	400	9	97 x 48	99 x 60 x 29 v
FTHR - 90 EL	400	9	97 x 48	99 x 60 x 29 v
FTHRC - 90 EL	400	9	97 x 48	99 x 60 x 29 v

PACKING AND DEVICE CHECK

The device leaves our stocks properly packed with appropriate symbols and labels. There are also appropriate instructions for use. In case the packing shows bad handling or damage, it must be reclaimed at transporter immediately by writing and signing of a damage protocol.

Important notice:

-This product is only intended for use inside.

Never use the appliance if it has a damaged supply cable or plug, if it is not working correctly, has fallen to the ground and been damaged or fallen into water. In such cases take the appliance to a professional service in order to verify that it is safe and works correctly.

- only for professional use
- this instructing guide must be read properly and carefully because it contains important information about safety elements, installation, use
- these recommendations refer to this product
- this product corresponds with valid standards
- this guide must be properly deposited for future use
- keep the children away from manipulation with the product
- when selling or moving the product to another place it is necessary to make yourself sure that the staff or the professional service has got acquainted with control and installation instructions from enclosed guide
- only authorised person can operate the product
- it can not be switched on without supervision
- we recommend to have the product checked by professional service min. once a year
- only original spare parts can be used for repairs
- the product can not be cleaned by the water jet or pressure shower
- by damage or break down disconnect all the feeders (water, gas, electricity) and call professional service
- producer refuses any responsibility in case of damages caused by wrong installation, by disobeying of above mentioned recommendations or by other use etc.

PLACEMENT

The device must be installed in well ventilated room what is necessary for regulation of the function of the device (technician must go by valid standard (EN...)). If the device is situated close to the wall or if it is in contact with the furniture walls, these walls must resist the temperatures ranging to 90°C. Installation, setting, putting into operation must be done by qualified person who is competent for this and according to the valid standards.

Wrap up the device and check whether it was not damaged during transport. Settle the device on horizontal surface (max imbalance 2°). Settle the device under the fumehood to eliminate water steam and bad smell. The device can be installed separately or in a set with devices of our production. Min. distance 10 cm from other subjects must be kept. It is also necessary to prevent our product from contact with combustible materials. In this case you must make corresponding changes to secure heat isolation of combustible parts. Safety measures from the standpoint of the fire protection according to EN 061008čl. 21:

The components of the appliance provided by the manufacturer or its representative must not be reconfigured by the person installing the product.

SAFETY MEASURES FROM THE STANDPOINT OF THE FIRE PROTECTION ACCORDING TO EN 061008 ČL. 21

- only adults can operate the device
- device must be safely used in common surroundings according to EN 332000-4-462; EN 332000-4-42. You must switch the gas device off under the circumstances leading: to the danger of the temporary rise of the combustion gas or steam or during works when there is a big possibility of rise of the temporary fire danger or explosion (for example: to stick linoleum, PVC etc.).
- before you start to instal the device you must get the licence for connection to the gas feeder from the gasworks
- device must be placed so as to stand or hang on the noncombustible surface which is on each side 10 cm larger than the device. No subjects from combustible materials can be placed directly on the device or in distance which is shorter than safety distance (the shortest distance is 50 cm in the direction of the heat emission and 10 cm in other directions).- safety distances from various materials of different degree of combustion and information about the degree of comb. of common building materials - see chart:

Chart:

Combustion degree of building materials classified according to the combustion degree of materials and products (EN 730823)

A noncombustible	granit, sandstone, concretes,bricks, ceramic wallfacing tiles, plaster
B uneasily combustible	akumine, heraklite, lihnos, itavere
C1 hardly combustible	leafy wood, plywood, sirkoklit, rare paper formica
C2 middle combustible	fibreboards, solodure, cork boards, rubber,floor-coverings
C3 easily combustible	wood-fibreboards, polystyrene,polyurethane, PVC

Devices must be instalated in a safe way. When instaling you must respect corresponding project, safety and hygienic orders according to:

- EN 061008 fire protection of local devices and sources of heat
- EN 332000 (33 2000-4-482; 33 2000-4-42) surrounding for electric devices ČSN EN 1775 Gas supplying
- Gas fittings in the buildings - the highest operational pressure < 5 bar - operation demands
- § 10 law nr. 185/2001 Sb. about waste


CONNECTION OF THE ELECTRIC CABLE TO THE ELECTRICITY

Instalation of electric feeder - This feeder must be separetely protected by a safety fuse according to the specific electric stream which depends on the wattage of the instaled device. Check the wattage on the label at the back of the device. Connect the device directly to the electricity but you must put the switch between the device and electric net. The switch must be placed in min. distance 3 mm between the particular contacts according to the standards and loading. The feeder of grounding (yellow-green) cannot be interrupted by this switch. In every case feeding cable must be placed so that no point of the cable will reach the temperature which is 50°C higher than the temperature of the surrounding. Before connecting the device check that:

- safety fuse of the feeder and inner mains can stand the loading of the device (see label of the matrix)
- mains are equipped with effective grounding according to standards (ČSN) and conditions given by law
- socket or switch of the feed is well accessible from device

We refuse any responsibility in case of not respecting above mentioned rules. Before the first use it is necessary to remove all the protection foil and to clean the device - see chapter „cleaning and maintenance“.

Maintenance: We recommend to have the device checked once a year by the proffesional service. Only qualified or competent persons can do interventions in the product.

-  -Do not insert the power cable plug into the el. socket and do not pull it out of the el. socket with wet hands or by pulling on the cable!
- Do not use extension cables or power strips.

TECHNICAL INSTRUCTIONS FOR INSTALATION AND REGULATION

Important:

The manufacturer does not provide warranty for defects caused by improper use, failure to instructions contained in the attached instructions for use and mistreatment of the appliances.

Installation, adjustment and repair of appliances for kitchens, as well as their removal because of possible damage to the gas can be carried out only under a maintenance contract, this contract may be signed with an authorized dealer, and must be complied with regulations and technical standards and regulations regarding the installation, power supply, gas connection and health & safety system.

These instructions are intended for the qualified technician who must perform the installation, put it into operation and test the appliance.

Any activity as settings, placement, rebalancing etc, must be made only when is device disconnected from electricity. If it is necessary to have the device connected to the electricity you must keep the highest attention to avoid any injuries.

DEVICE INSTALATION

Instalation, setting, rebuilding for another gas type, putting into operation must be done by qualifi ed person whois competent for this and according to the valid standards. The device can be instalated in good ventilated room. When it is possible place the device under the fumehood to suck off the products of combustion. Air needy to the burning is $2m^3/h/kW$ ot the performance of the instaled device. The device can be instalated separately or in a set with devices of our production. Min. distance 10 cm from other subjects must be kept.It is also necessary to prevent our product from contact with combustible materials. In this case you must make corresponding changes to secure heat izolation of combustible parts (for example:place between the device and combustible material azbestos plate).

INSTRUCTION FOR USE

Attention!

Before the first use of the device wash the device with water containing detergent and than dry with the cleaning cloth. Never leave the device on without supervision!!!

!!! YOU MUST LUBRICATE THE TOP WITH VEGETABLE OIL AFTER EACH CLEANING !!!

Drawer for superfluous fat

You must check the drawer regularly and empty it in time. You must clean the drawer after each switching the device off.

Comments and recommendation

The devices with separated surface into 2 halves (FT-60) can be adjusted for different temperatures on both of the halves. You can also use only one half. Switch on by main switch (D), turn the knob (A) and adjust required performance. Pilot lamps (B) and (C) will light. Pilot lamp (B) lights when the device is connected to the electricity. Pilot lamp (C) lights when the heating spirals are on. Pilot lamp (C) goes out when the device reaches adjusted temperature. Switch the device off by turning the knob (A) into position „0“ and switch off the main switch (D).

Maintenance

We recommend to have the device checked once a year by the professional service. Only qualified or competent persons can do interventions in the product.

Comments and recommendation

Use the device only under supervision.



CLEANING AND MAINTENANCE

ATTENTION! The device cannot be cleaned by direct or pressure water. Clean it daily. Daily maintenance keeps longer useful life and efficiency of the device. Before cleaning make sure to have disconnected the device from electricity. Always switch off the main feeder to the device. Stainless parts wash with moist cleaning cloth and non abrasive detergent than dry it by the cloth. Do not use abrasive and corrosive detergents. All food residues must be removed from the surface, you can use scraper.

!!! YOU MUST LUBRICATE THE TOP WITH VEGETABLE OIL AFTER EACH CLEANING !!!

WHAT TO DO IN CASE OF BREAK-DOWN

Switch off the electric feeder and call seller's professional service.

INDICATION

Guarantee does not cover all consumption parts succumable to common wear (rubber seals, bulbs, glass and plastic parts etc.). The guarantee does not refer to the devices which were not installed in correspondence with instructions - by qualified worker, in conformity with standards and when somebody handled incompetently the device (interventions into inner equipment) or the device was operated by non qualified staff or at variance with instructions for use. Guarantee does not also cover the damages caused due to influence of nature or other outer intervention.

Point for cleaning steel-alloy plate:

- Heat up the device
- Turn of the device
- The plate pull off with scraper
- Apply water to chemistry (RM grill) and clean the plate from residual dirt and sediment
- Apply pure water (The solution is with vinegar or lemon)
- Pull off the water and than to dry the plate with rag
- Turn on the device up to 70 °C and from the plate let evaporate residual humidity
- To smear the grill areas with vegetable oil

Point for cleaning chrome plate:

- Heat up the device
- Turn of the device
- The plate pull off with plastic scraper
- Apply water with a saponate and clean the plate with a sponge
- Apply pure water
- Pull off the water and than to dry the plate with rag
- Turn on the device up to 70 °C and from the plate let evaporate residual humidity

DIE NORMENÜBEREINSTIMMUNGSDEKLARATION

Der Produzent erklärt, daß die Geräte in einer Übereinstimmung mit den Vorschriften der 2014/35/EU, 2014/30/EU dem Gesetz Nr. 118/2016 sb., 117/2016 sb. der Sammlung und zugehörigen Regierungsverordnungen stehen. Die Installation muss mit der Absicht auf geltende Normen durchgeführt werden. Vorsicht, im Falle einer direkten oder indirekten Beschädigung, die sich auf falsche Installation, unrichtigen Eingriff oder Anpassungen, ungenügende Instandhaltung, unrichtige Verwendung beziehen, und welche eventuell durch andere Ursachen, als in Punkten der Verkaufsbedingungen angeführt ist, so verzichtet der Importeur auf jegliche Verantwortung. Dieses Gerät ist nur für fachliche Verwendung bestimmt und muß durch qualifizierte Person bedient werden. Teile, die nach der Einstellung durch den Hersteller oder durch befugte Person gesichert wurden, dürfen vom Benutzer keineswegs umgestellt werden.

DIE TECHNISCHEN DATEN

Das Schild mit technischen Angaben ist auf der Rückseite des Gerätes angebracht. Studieren sie vor der Installation das elektrische Schema der Einschließung und alle folgende Informationen durch.

MODEL	SPANNUNG (V)	ANSCHLUSSWERT (KW)	PLATTEABMESSUNG (CM)	ABMESSUNG (CM)
FTH - 30EL	230	3	32 x 48	33 x 60 x 29 v
FTR - 30EL	230	3	32 x 48	33 x 60 x 29 v
FTHC - 30EL	230	3	32 x 48	33 x 60 x 29 v
FTRC - 30EL	230	3	32 x 48	33 x 60 x 29 v
FTH - 60EL	400	6	65 x 48	66 x 60 x 29 v
FTHR - 60EL	400	6	65 x 48	66 x 60 x 29 v
FTHC - 60EL	400	6	65 x 48	66 x 60 x 29 v
FTHRC - 60EL	400	6	65 x 48	66 x 60 x 29 v
FTH - 90EL	400	9	97 x 48	99 x 60 x 29 v
FTHC - 90EL	400	9	97 x 48	99 x 60 x 29 v
FTHR - 90 EL	400	9	97 x 48	99 x 60 x 29 v
FTHRC - 90 EL	400	9	97 x 48	99 x 60 x 29 v

DIE VERPACKUNGS-, UND VORRICHTUNGSKONTROLLE

Die Vorrichtung verlässt unsere Lager in ordentlicher Verpackung, auf deren die entsprechenden Symbole und Bezeichnungen stehen. In der Verpackung befindet sich entsprechende Bedienungsanweisung. Falls die Verpackung eine schlechte Behandlung oder Anzeichen der Beschädigungen vorweist, muß dieses sofort beim Transporteur reklamiert werden und zwar durch Unterzeichnung eines Schadensprotokolles.

Wichtige Hinweise

-Das Erzeugnis ist nur zur Verwendung im Innenraum bestimmt.

Verwenden Sie den Verbraucher nie, wenn die Speisezuleitung oder der Stecker beschädigt sind, das Gerät nicht richtig arbeitet, ist auf den Boden gefallen und hat sich beschädigt oder ist ins Wasser gefallen. Bringen Sie in solchen Fällen den Verbraucher zu einem Fach-Kundendienst zur Überprüfung seiner Sicherheit und richtiger Funktion.

- Nur für professionellen Verbrauch geeignet
- Diese Bedienungsanleitung muss ordentlich und bedächtig gelesen werden, weil sie wichtige Informationen über Sicherheitsmerkmale, Installation und Anwendung beinhaltet
- Diese Empfehlungen beziehen auf diesen Produkt
- Der Produkt entspricht geltenden Normen
- Diese Anleitung muß ordentlich für die zukünftige Verwendung hinterlegt werden
- Hindern Sie den Kinder an Vorrichtungsm Manipulation
- Beim Verkauf oder Verlegung ist es notwendig sich zu überzeugen, daß die Bedienstperson oder Fachservis sich mit der Beherrschung und Installationsanweisung in beiliegender Anleitung, anvertraut gemacht haben.
- Das Produkt darf nur eingeschulte Bedienung bedienen
- Das Produkt darf nicht ohne Aufsicht ins Betrieb gesetzt sein
- Es ist empfohlen, minimal einmal pro Jahr eine Fachkontrolle durchführen zu lassen
- Bei eventueller Reparatur der Teilenumtauschungen müssen ausschließlich Originalteile angewendet werden
- Das Produkt darf nicht durch einen Wasserstrahl oder Druckbrause gereinigt werden
- Schalten Sie alle Leitungen (Wasser, Elektrizität, Gas) bei einer Störung oder beim schlechten Lauf aus und rufen Sie autorisierten Service an
- Der Hersteller verzichtet auf jegliche Verantwortung bei Störungen, die durch fehlerhafte Installation, Nichteinhaltung o.a. Empfehlungen, andere Verwendung u.ä, verursacht wurden

DIE PLATZIERUNG

Es ist unbedingt notwendig, zu der Regulation der Gerätetätigkeit, daß das Milieu - der Küche -, wo das Gerät installiert wird, sehr gut belüftbar ist (im Hinblick darauf: sei der Techniker sich mit geltenden Normen (EN) richtet). Wenn die Einrichtung so plaziert wird, daß sie im Mobiliarwandkontakt stehen wird, so müssen diese einer Temperatur von 90°C widerstehen. Die Installation, Herrichtung, Inbetriebnahme müssen durch qualifizierte Person, die zu solchen Vorkehrungen eine Befugnis hat und dies laut geltenden Normen nach, durchgeführt werden.

Packen Sie das Gerät aus und kontrollieren Sie , ob sich das Gerät während des Transportes nicht beschädigt hat. Platzieren Sie das Gerät auf eine waagrechte Fläche (maximale Unebenheit bis 2°). Stellen Sie das Gerät unter den Haubenabzug, damit Sie die Wasserdämpfe und den Geruch eliminieren. Das Gerät kann selbständig oder in einer Reihe mit Geräten unserer Herrstellung installiert werden. Es ist notwendig die minimale Entfernung von 10 cm zu anderen Gegenständen einzuhalten, so dass die Wärmeisollierung der brennbaren Teilen gewährleistet wird.

Das Gerät kann selbständig oder in einer Reihe mit Geräten unserer Herrstellung installiert werden. Es ist notwendig die minimale Entfernung von 10 cm zu anderen Gegenständen einzuhalten, so dass die Wärmeisollierung der brennbaren Teilen gewährleistet wird.

TECHNISCHE HINWEISE ZUR INSTALLATION UND REGELUNG

Wichtig:

Zur Benützung AUSSCHLIEßLICH nur für spezialisierte Techniker
Instruktionen, die folgen, wenden sich an den Techniker, der für die Installation qualifiziert ist, damit er alle Operationen mit der korrektesten Weise und laut der gültigen Normen durchführt.

Wichtig

Jeweils irgendeine Tätigkeit, die mit der Regulation verbunden ist u.ä, muß nur mit der aus dem Netz ausgezogenen und abgeschalteten Einrichtung vollgezogen sein.
Solange das Gerät unter der Spannung notwendig zu halten ist, eine höchste Vorsicht zu beachten vorliegt.

DIE SICHERHEITSVORRICHTUNGEN AUS DER SICHT DES FEUERSCHUTZES LAUT EN. 061008 ČL. 21

Die Einrichtungsbedienung dürfen nur Erwachsene ausführen

- Das Gerät darf sicher in gewöhnlicher Umgebung laut EN 332000-4-482; EN 332000-4-42 verwendet werden.
- Es ist notwendig das Gerät so platzieren, daß es auf einer unbrennbaren Grundlage steht oder hängt.
- Es dürfen, auf und in eine Entfernung, die kleineremase als sicher vom Gerät bezeichnet wird, keine Gegenstände aus brennbaren Materilien (die kleinste Entfernung vom Brennbarem ist 10 cm) aufgestellt werden.
- Die sicheren Entfernungen von Massen der einzelnen Brenngra

Tabelle:

Baumassefeuerbrenngrad ins Brenngrad (EN) der Massen und Produkte eingegliedert

A	Unbrennbar	Granit, Sandstein, beton, Ziegel, Keramikbekleidung, Putz
B	nicht einfach brennbar	Akumin, Heraklit, Lihnos, Itaver
C1	schwer brennbar	Holz, Laubbaum, Furnier Sirkoklit, Festpapier, Umakart
C2	mittel brennbar	Holzspanplatten, Solodur, Korkplatten, Hartgummi, Bodenbeläge
C3	leicht brennbar	Holzfaserplatten, Polystyren, Polyureten, PVC

Die Bedarfsartikel müssen sicher installiert werden und sind mit regulierenbaren Beinchen - zur Ausgleichen der Höhe und der Unebenheiten eingestattet.

Die Geräte müssen in einer sicheren Weise installiert werden. Bei der Installation müssen weiter betreffende Projekt-, Sicherheits-, und Hygienevorschriften respektiert werden.

- EN 06 1008 Feuerschutz der örtlichen Geräte und der Wärmquellen
- EN 33 2000 (33 2000-4-482; 33 2000-4-42) Umgebung für elektrische Geräte
- Gasversorgung -Gasleitungen in Gebäuden - Höchste Verkehrsdruck ≤ 5 BarVerkehrsansprüche,
- § 10 des Gesetzes Nr.185/2001 Sb., der Abfälle betrifft.

DER ELEKTRISCHE KABELNETZANSCHLUSS

Die Installation der elektrischen Ankupplung - Diese Zuleitung muß selbstständig gesichert werden. Und das durch entsprechende Sicherung des Nennstromes in der Abhängigkeit am Anschlußwert des installierten Gerätes. Kontrollieren sie den Anschlußwert des Apparates auf dem Produktionsschild im Hinterteil des Gerätes. Schließen Sie das Gerät direkt ans Netz an.

Es ist unbedingt notwendig zwischen das Gerät und das Netz einen Schalter zu legen, der eine minimale Entfernung von 3mm unter den Einzelkontakten aufweist und der auch den geltenden Normen und Belastungen entspricht. Die Erdungszuleitung (gelbgrün) darf nicht durch diesen Schalter unterbrochen sein.

Der Zuleitungskabel muß in jedem Fall so angebracht sein, dass er in keinem Punkt einer um 50°C höherer Temperatur als Umgebungstemperatur nicht erreicht. Eher das Gerät ans Netz angeschlossen wird, versichern Sie sich, dass:

- die Zuleitungssicherung und die Innenscheidung die Einrichtungsbelastung ertragen (siehe Matriceschild),
- die Verteilung mit wirksamer Erdung laut Normen (EN) und Gesetzbedingungen ausgestattet ist

WIR VERZICHTEN AUF JEDLICHE VERANTWORTUNG IM FALLE, DASS DIESE NORMEN NICHT RESPEKTIERT WERDEN UND IM FALLE DER NICHTEINHALTUNG DER OBENERWÄHNTER GRUNDSÄTZE.

Es ist notwendig die Schutzfolie vor der ersten Benützung zu beseitigen, sowie das Gerät zu reinigen siehe das Kapitel „Reinigung und Instandhaltung“.



-Führen Sie den Stecker der Speisezuleitung in die el. Steckdose und ziehen ihn aus der el. Steckdose mit nassen Händen und durch Ziehen der Speisezuleitung nicht!

-Verwenden Sie keine Verlängerungskabel oder Kombisteckdosen.

GEBRAUCHSANWEISUNG

Vorsicht!

Bevor Sie das Gerät verwenden werden, ist es notwendig ihn gut mit feuchtem Waschlappen abzuwaschen. Lassen Sie nie das Gerät ohne Aufsicht im Betrieb.

Nach jeder Gerätereinigung müssen Sie die Grillplatten mit Pflanzenöl aufreiben.

Behälter für Ölsammlung

Es ist wichtig den Behälter regelmässig zu kontrollieren und diesen auch beizeeitig ausleeren. Den Behälter müssen nach jeder Gerätausschaltung reinigen.

Die Bemerkungen und Empfehlungen

Bei den Geräten, die die Kochplatte auf zwei Hälften geteilt haben (FT-60), ist es möglich verschiedene Temperaturen an beiden Plattenhälften einzustellen, oder Sie können nur die eine Hälfte verwenden.

Schalten Sie mit dem Hauptschalter (D), drehen Sie mit dem Beherrschenrädchen (A) und stellen Sie die verlangte Temperatur ein. Die Kontrollleuchten (B) und (C) werden scheinen. Die Kontrolllampe (B) scheint, wenn das Gerät unter Elektrostrom steht. Die Kontrolllampe (C) scheint, wenn die Heizkörperspiralen im Gange sind. Die Kontrolllampe (C) erlischt, wenn das Gerät auf die gewünschte Temperatur geheizt ist. Das Gerät schalten Sie so aus, wenn Sie das Beherrschenrädchen (A) in die Lage „0“ umdrehen und mit dem Hauptschalter (D) ausschalten.



GEBRAUCHSANWEISUNG:

Vorsicht!

Bevor Sie das Gerät verwenden werden, ist es notwendig ihn gut mit feuchtem Waschlappen abzuwaschen. Lassen Sie nie das Gerät ohne Aufsicht im Betrieb.

Behälter für Ölsammlung

Es ist wichtig den Behälter regelmässig zu kontrollieren und diesen auch beizeitig ausleeren.

Den Behälter müssen nach jeder Gerätausschaltung reinigen.

Packen Sie das Gerät aus und kontrollieren Sie, ob das Gerät beim Transport nicht beschädigt wurde. Befestigen Sie die Anlage an den Fry-Top gemäß Abbildung entweder mit Hilfe der Füße, oder der Füße und Schrauben. Danach setzen Sie die Federn so auf die Kontaktplatte auf, dass sie diese in angehobener Stellung halten und gleichzeitig nicht eigenmächtig anheben, wenn die Anlage nach unten gelassen ist.

Es ist ein Mindestabstand von 10 cm von den übrigen Gegenständen einzuhalten und ein Kontakt des Geräts mit brennbaren Materialien zu vermeiden. In diesem Fall sind entsprechende Anpassungen sicherzustellen, um die Wärmeisolierung der brennbaren Teile zu gewährleisten.

Schalten Sie mit dem Hauptschalter (B), drehen Sie mit dem Beherrschenrädchen (B) und stellen Sie die verlangte Temperatur ein. Die Kontrollleuchten (A) und (C) werden scheinen. Die Kontrolllampe (A) scheint, wenn das Gerät unter Elektrostrom steht. Die Kontrolllampe (C) scheint, wenn die Heizkörperspiralen im Gange sind. Die Kontrolllampe (C) erlischt, wenn das Gerät auf die gewünschte Temperatur geheizt ist. Das Gerät schalten Sie so aus, wenn Sie das Beherrschenrädchen (B) in die Lage „0“ umdrehen und mit dem Hauptschalter (A) ausschalten.

INSTANDSHALTUNG

Es ist empfohlen mindestens einmal pro Jahr das Gerät durch einen fachlichen Servicedienst warten zu lassen. Alle Eingriffe in das Gerät darf nur eine qualifizierte Person durchführen, die zu solchen Handlungen eine Befugnis besitzt.

!!! Nach jedem Reinigungsaustrüstung nötig ist, die Oberfläche der Arbeitsplatte mit Pflanzenö!!!

Bemerkunge und Empfehlunge

Benützen Sie das Gerär nur unter ständigen Aufsicht.

DIE REINIGUNG UND INSTANDSHALTUNG

ACHTUNG! Die Einrichtung darf nicht mit Direkt-, oder Druckwasserstrahl gereinigt werden. Reinigen Sie das Gerät täglich. Die Lebensdauer und Gerätewirkung wird durch die tägliche Wartung gewährleistet. Überzeugen Sie sich, vorm Reinigungsanfang, dass Sie die Einrichtung vom Elektrostrom abgeschaltet haben. Schalten Sie immer die Gerätehauptzufuhr ab. Waschen Sie die Edeltahteile mit feuchtem Waschlappen, der im Waschpulver getauft ist und keine grobe Teilchen aufweist. Wischen Sie alles ins Trockene ab. Verwenden Sie keine abrasive- oder korrosionsreiche Reinigungsmitteln. Alle Speisenreste müssen von der Arbeitsplatte beiseitigt werden. Sie könnem eine Spachtel benützen. Nach jeder Gerätereinigung müssen Sie die Grillplatten mit Pflanzenöl aufreiben.

WIE MAN IM FALLE EINER STÖRUNG VORANGEHEN SOLL

Schalten sie die elektrische Stromleitung ab und rufen die Serviceorganisation des Verkäufers an.

Wie man eine Stahlgrillplatte pflegen soll:

- die Grillplatte einheizen
- Abschalten
- mit einem Spachtel oder Schäber reinigen
- Wasser mit Reinigungsmittel /z.B. RM Grillreiniger/ auf die Platte eingiessen, Schmutze und Schämme ordentlich entfernen
- Rein Wasser auf die Grillplatte eingiessen , passend ist auch eine Essig- oder Zitronenlösung
- Rest des Wassers abwischen und die Platte mit dem Tuch abtrocknen
- restliche Nässe abdampfen lassen
- die Grillplatte mit Pflanzenoil aufstreichen

Wie man eine verchromte Grillplatte pflegen soll:

- die Grillplatte einheizen
- abschalten
- Mit einem Kunststoffspachtel oder Schäber reinigen
- Wasser mit Reinigungsmittel auf die Platte eingiessen , Schutze und Schämme mi teinem Schwamm entfernen
- Rein Wasser auf die Grillplatte eingiessen
- Rest des Wassers abwischen und die Platte mit dem Tuch abtrocknen
- Restliche Nässe abdampfen lassen

HINWEIS

Die Garantie bezieht sich nicht auf alle Verbrauchsteile, die der geläufiger Abnutzung unterstehen (gesamte Gummidichtungen, Glühlampen, alle glasernde und plastiche Teile, usw.). Die Garantie bezieht sich nicht weiterhin auf Einrichtungen, die durch befugte Person laut Anweisung und entsprechender Normen nicht installiert worden sind und wenn mit dem Gerät unfachmännisch manipuliert wurde (Eingriffe ins Innere) und auf Beschädigungen durch Natureinflüsse oder Ausseneingriffe.

DÉCLARATION DE CONFORMITÉ

Le fabricant certifie la conformité des appareils aux normes 2014/30/EU, 2014/35/EU à la loi n° 117/2016 sb., 17/2003 sb. et aux décrets applicables. L'installation doit être effectuée dans le respect des normes en vigueur. Attention: le fabricant décline toute responsabilité en cas de dommages, directs ou indirects, causés par une mauvaise installation, par une utilisation, des interventions ou des modifications impropres, par un entretien insuffisant, ainsi qu'en cas de dommages dérivant des causes mentionnées dans les conditions de vente. L'appareil objet de la présente notice est prévu pour un usage professionnel, aussi son utilisation doit-elle être confiée à un personnel possédant les compétences nécessaires à cet effet. L'utilisateur ne doit procéder à aucune intervention ni à aucune modification sur les parties réglées et protégées par le fabricant ou autre personnel autorisé à cet effet.

CARACTÉRISTIQUES TECHNIQUES

L'étiquette sur laquelle figurent les caractéristiques techniques est apposée sur la partie postérieure de l'appareil. Avant de procéder à l'installation, prendre connaissance du schéma électrique et de toutes les informations que contient la présente notice.

MODEL	TENSION (V)	PUISSANCE (KW)	DIMENSIONS PLAQUE (CM)	DIMENSIONS TOTAL (CM)
FTH - 30 EL	230	3	32 x 48	33 x 60 x 29 v
FTR - 30 EL	230	3	32 x 48	33 x 60 x 29 v
FTHC - 30 EL	230	3	32 x 48	33 x 60 x 29 v
FTRC - 30 EL	230	3	32 x 48	33 x 60 x 29 v
FTH - 60 EL	400	6	65 x 48	66 x 60 x 29 v
FTHR - 60 EL	400	6	65 x 48	66 x 60 x 29 v
FTHC - 60 EL	400	6	65 x 48	66 x 60 x 29 v
FTHRC - 60 EL	400	6	65 x 48	66 x 60 x 29 v
FTH - 90 EL	400	9	97 x 48	99 x 60 x 29 v
FTHC - 90 EL	400	9	97 x 48	99 x 60 x 29 v
FTHR - 90 EL	400	9	97 x 48	99 x 60 x 29 v
FTHRC - 90 EL	400	9	97 x 48	99 x 60 x 29 v

CONTROLE DE L'EMBALLAGE ET DE L'APPAREIL

En vue de son transport, l'appareil quitte les établissements du fabricant parfaitement emballé (sur l'emballage sont apposés les étiquettes et les symboles nécessaires à cet effet). L'emballage contient également la notice des instructions d'utilisation. Dans le cas où l'emballage présenterait des dommages ainsi que dans le cas où il s'avérerait qu'il a été manipulé sans les précautions nécessaires, il est impératif d'adresser sans attendre une déclaration au transporteur en y joignant une acceptation de la marchandise sous réserve.

Recommandation importante:

-Le produit est destiné uniquement à un usage intérieur.

N'utilisez jamais cet appareil si le cordon ou la fiche sont endommagés, si l'appareil fait défaut, s'il a été échappé ou endommagé ou immergé. Dans ce cas, retournez cet appareil au centre service autorisé pour examen.

- Pour usage professionnel seulement
- La présente notice des instructions d'utilisation et d'entretien contient d'importantes informations relatives à la sécurité, à l'installation et à l'utilisation; il est nécessaire d'en effectuer attentivement la lecture.
- Les recommandations se réfèrent à l'appareil objet de la présente notice.
- L'appareil est conforme aux normes en vigueur.
- Veiller à bien conserver la notice de telle sorte qu'elle puisse être consultée à tout moment en cas de besoin.
- Ne pas laisser des enfants s'approcher de l'appareil durant son utilisation.
- Pendant la vente ou après le déménagement de l'appareil vérifier que le personnel lise attentivement la présente notice d'utilisation
- L'appareil ne peut être utilisé que par le personnel instruit
- L'appareil ne peut être laissé en marche sans surveillance
- Il est recommandé de faire l'appareil contrôler au moins une fois par an dans un service spécialisé
- Ne pas utiliser que des pièces détachées originelles.
- En cas de défaut ou de mauvaise fonction, débrancher l'appareil (eau, gaz, électricité) et appeler un service spécialisé
- Le fabricant décline toute responsabilité en cas de dommages, directs ou indirects, causés par une mauvaise installation, utilisation, etc

LA LOCATION

Le local dans lequel l'appareil est installé doit être bien ventilé. Si l'appareil doit toucher le parois, celui-ci doit résister à la chaleur de 90°C au minimum. L'installation, le réglage et la mise en marche doivent être effectués par une personne qualifiée ayant une autorisation nécessaire selon les normes en vigueur.

Déballez l'appareil et vérifiez s'il n'était pas endommagé pendant le transport. Placez l'appareil sur une surface horizontale (pente maximale de 2°). Placez l'appareil sous une hotte pour éliminer la vapeur et mauvaise odeur.

L'appareil peut être installé seul ou en série avec d'autres appareils de notre fabrication. Il faut respecter la distance minimale de 10 cm entre l'appareil et d'autres objets ainsi qu'éviter le contact avec les matériaux inflammables. Dans ce cas il faut prévoir les arrangements nécessaires pour assurer la protection des parties inflammables.

INSTRUCTIONS TECHNIQUES POUR INSTALLATION ET REGLEMENT

Important:

Le fabricant ne fournit pas de garantie pour les défauts causés par l'usage, tout manquement impropre aux instructions contenues dans les instructions ci-jointes pour l'utilisation et aux mauvais traitements des appareils.

Installation, réglage et réparation d'appareils pour les cuisines, ainsi que leur élimination en raison de dommages possibles au gaz peut être effectuée qu'en vertu d'un contrat de maintenance, ce contrat peut être signé avec un distributeur agréé, et doivent être conformes à la réglementation technique et normes et réglementations concernant l'installation, l'alimentation, de raccordement de gaz et de la santé et la sécurité du système.

Ces instructions sont destinées au technicien qualifié qui doit effectuer l'installation, le mettre en marche et tester l'appareil.

Toute activité en tant que paramètres, le placement, le rééquilibrage etc, doit être faite que lorsqu'il est périphérique déconnecté de l'électricité. Si il est nécessaire d'avoir le périphérique connecté à l'électricité, vous devez garder la plus grande attention afin d'éviter toute blessure.

MÉSURES DE SÉCURITÉ POUR LA PROTECTION CONTRE INCENDIE SELON EN 06 1008 ARTICLE 21:

- l'appareil ne peut être utilisé que par des personnes majeures
- l'appareil peut être utilisé dans un espace ordinaire selon EN 332000-4-482; 332000-4-42
- l'appareil doit être placé ou suspendu d'une manière stable sur une surface ininflammable

Il est interdit de placer sur l'appareil ou dans la distance inférieure à 10 cm de l'appareil des objets inflammables.

- les distances de sécurité pour les matériaux inflammables selon leurs degré d'inflammabilité et les informations sur l'inflammabilité des matériaux de construction – voir le tableau

Tableau:

degré d'inflammabilité d'un matériel de construction (EN 730823)

A ininflammables	granit, grès, béton, briques, carrelage céramique, enduit
B difficilement inflammables	acumin, héraclite, lihnos, itaver
C1 mal inflammables	bois des arbres feuillus, contre-plaqué, papier durci, umakart
C2 inflammabilité moyenne	aggloméré, solodur, liège, caoutchouc, revêtements
C3 inflammabilité facile	planches de fibre de bois, polystyrène, polyurethane, PVC

L'appareil doit être installé d'une manière sûre. Pour l'ajustage de l'appareil est ce-ci procuré des pieds réglables.

- EN 06 1008 protection contre incendie des consommateurs d'énergie locaux et des émetteurs de chaleur
- EN 33 2000 (33 2000-4-482; 33 2000-4-42) le milieu pour les appareil électriques

BRANCHEMENT ÉLECTRIQUE

Installation de prise de courant – La prise de courant doit avoir un coupe-circuit indépendant en dépendance de puissance fournie de l'appareil. Vérifiez la puissance de l'appareil sur la plaque des caractéristiques techniques.

Branchez l'appareil directement au réseau, il faut mettre un interrupteur entre le réseau et l'appareil, son ouverture de contacts étant 3 mm au minimum. Câble de terre (vert-jaune) ne peut pas être interrompu par cet interrupteur. En tout cas, le câble de prise de courant doit être placé de telle manière que sa température ne dépasse jamais la température du milieu de plus que 50°C. Avant le branchement au réseau, s'assurer que :

- le coupe-circuit et distribution intérieure peuvent endurer la charge de l'appareil (voir la plaque)
- la mise à la terre fonctionne selon les normes en vigueur (EN) et selon la loi
- la prise ou l'interrupteur de circuit sont faciles d'accès

Le fabricant rénonce à toute responsabilité en cas que les normes ne seront pas respectés ainsi qu'en cas de dérogation des règles mentionnés ci-haut.

Avant la première utilisation, il faut retirer le film de protection et nettoyer l'appareil – voir chapitre « nettoyage et entretien ».

Entretien:

Il est recommandé de faire contrôler l'appareil dans un service spécialisé au moins une fois par an. Toutes les interventions peuvent être effectuées seulement par une personne qualifiée ayant une autorisation pour ces interventions.



-N'introduisez pas la fiche du cordon dans la prise de courant et ne débranchez pas l'appareil de la prise électrique si vos mains sont mouillées ou en tirant sur le cordon électrique !

-N'utilisez pas de rallonge ou de multiprise.

MODE D'EMPLOI

Avant la 1ere mise en route retirer la feuille de protection. Nettoyer toutes les surfaces à l'aide d'un chiffon doux, d'eau tiède et d'un détergent, de façon à éliminer les produits antirouille appliqués durant la fabrication et essuyer ensuite l'appareil à l'aide d'un chiffon propre.

AFIN D'ÉVITER LA FORMATION DE ROUILLE, IL FAUT TRAITER LA SURFACE DES PLAQUES AVEC UNE HUILE VÉGÉTALE APRÈS CHAQUE NETTOYAGE

Mettre l'appareil en route à pleine puissance pour 15-20 environ minutes afin de cuire la plaque.
Ne jamais laisser l'appareil en marche sans surveillance!!

Tiroir récupérateur de graisse

Il faut contrôler ce récipient régulièrement et le vider à temps. Le récipient doit être nettoyé après chaque débranchement de l'appareil.

OBSERVATIONS ET RECOMMANDATIONS

Les appareils avec le plan de travail divisé à deux moitiés permettent de régler la température différente pour chaque moitié de la plaque ou bien utiliser une seule moitié.

Actionner l'interrupteur général (D) et positionner le bouton du thermostat (A) sur la température souhaitée. Les voyants (B) et (C) seront allumés. Le voyant (B) est allumé quand l'appareil est sous le courant électrique. Le témoin (C) est allumé si les résistances sont en marche. Le voyant (C) s'éteint aussitôt que la plaque est échauffée à la température ajustée. Pour débrancher l'appareil, rendre le bouton du thermostat (A) dans la position „0“ et débrancher l'interrupteur (D).



NETTOYAGE ET ENTRETIEN

ATTENTION! Le nettoyage au jet d'eau ou sous pression n'est pas autorisé.

Nettoyer l'appareillage tous les jours. Le nettoyage quotidien prolonge la durée de service et l'efficacité d'appareillage. Avant d'effectuer toute entretien, il faut débrancher l'appareil du réseau électrique. Les parties en inox doivent être nettoyées avec un chiffon humide, à l'aide d'un détergent liquide, non abrasif et ensuite être bien essuyées. Pour éliminer les reliefs du plan de travail, il est possible d'utiliser une spatule.

Comment procéder en cas d'une panne

Débrancher la prise du cordon secteur et contacter le service après-vente du revendeur.

MAINTENANCE

Il est conseillé de faire contrôler l'appareil au moins une fois par an par un service spécialisé. Tous les interventions dans l'appareil peuvent être effectuées uniquement par une personne qualifiée, possédant l'autorisation à telles opérations

!!! AFIN D'ÉVITER LA FORMATION DE ROUILLE, IL FAUT TRAITER LA SURFACE AVEC UNE HUILE VÉGÉTALE APRÈS CHAQUE NETTOYAGE !!!!!

Mode de maintenance de la plaque d'acier :

- réchauffer
- éteindre
- nettoyer/ enlever avec la spatule (peut être métallique) – positionnée à plat, pas sur l'arête
- utiliser l'eau avec le détergent (peut être le RM gril) et enlever la saleté résiduelle et les dépôts
- utiliser l'eau propre (avec du vinaigre ou du citron)
- sécher et éponger
- laisser s'évaporer l'humidité résiduelle (plus facile si la plaque est encore chaude)
- huiler des plaques de gril

Mode de maintenance de la plaque chromée :

- réchauffer
- éteindre
- gratter par la spatula en plastique
- utiliser l'eau avec le détergent et récuser
- utiliser l'eau propre
- sécher et éponger
- laisser s'évaporer l'humidité résiduelle (plus facile si la plaque est encore chaude)

AVERTISSEMENT

La garantie ne couvre pas de pièces soumises à l'usure normale (étanchements en caoutchouc, lampes, pièces plastiques et en verre, etc.) ainsi que l'appareillage dont l'installation n'a pas été exécuté conformément à la mode d'emploi, par une personne qualifiée et conformément aux normes correspondantes. La garantie ne couvre pas de dommages causés par une manipulation non autorisée (interventions dans l'appareillage intérieure) ou si l'appareil était servi par des personnes non qualifiées et/ou en cas de non-respect des instructions du manuel d'utilisation. La garantie ne couvre pas de dégâts causés par des actions naturelles ou par d'autres influences extérieures.

DE VERKLARING VAN OVEREENSTEMMING MET DE NORMEN

De fabrikant verklaart dat de apparaten voldoen aan de basiseisen van de richtlijn 2014/30/EU (verordening van de regering nr. 117/2016 Coll.) en de eisen van de richtlijn 2014/35/EU (verordening van de regering nr. 118/2016 Coll.).

Houd er rekening mee dat de fabrikant elke aansprakelijkheid afwijst in geval van directe of indirecte schade, die betrekking heeft op verkeerde installatie, niet correcte ingreep of aanpassingen, onvoldoende onderhoud en onjuist gebruik en die eventueel veroorzaakt zijn door andere oorzaken die gespecificeerd zijn in de afzonderlijke punten van de verkoopsvoorwaarden. Dit apparaat is uitsluitend bedoeld voor professioneel gebruik en moet worden bediend door gekwalificeerd personeel. Onderdelen die na afstelling door de fabrikant of een geautoriseerd persoon zijn beveiligd, mogen door de gebruiker niet gewijzigd worden.

Technische gegevens

Het typeplaatje met technische gegevens bevindt zich aan de zijkant of op de achterkant van het apparaat. Bestudeer het elektrische schema van het apparaat en alle onderstaande informatie, voordat u overgaat tot installatie van het apparaat.

PRODUCTTYPE	SPANNING (V)	VERMOGEN (KW)	AFMETINGEN APPARAAT (CM)	DIMENSIONS (CM)
FTH – 30EL	230	3	32 x 48	33 x 60 x 29 v
FTR – 30EL	230	3	32 x 48	33 x 60 x 29 v
FTHC – 30EL	230	3	32 x 48	33 x 60 x 29 v
FTRC – 30E	230	3	32 x 48	33 x 60 x 29 v
FTH – 60EL	400	6	65 x 48	66 x 60 x 29 v
FTHR – 60EL	400	6	65 x 48	66 x 60 x 29 v
FTHC – 60EL	400	6	65 x 48	66 x 60 x 29 v
FTHRC – 60EL	400	6	65 x 48	66 x 60 x 29 v
FTH – 90EL	400	9	97 x 48	99 x 60 x 29 v
FTHC – 90EL	400	9	97 x 48	99 x 60 x 29 v
FTHR - 90 EL	400	9	97 x 48	99 x 60 x 29 v
FTHRC - 90 EL	400	9	97 x 48	99 x 60 x 29 v

Controle van de verpakking en het apparaat

Het apparaat verlaat ons magazijn in een verpakking die voldoet aan alle voorschriften en waarop zich de vereiste symbolen en markeringen bevinden. In de verpakking bevindt zich de overeenkomstige gebruiksaanwijzing. Indien de verpakking beschadigd is of wijst op onjuist transport, dient u dit onmiddellijk te reclameren bij de transporteur door middel van ondertekening van een schadeprotocol. Latere indiening van klachten wordt niet in aanmerking genomen.

Belangrijke aanwijzingen

Lees deze gebruiksaanwijzing aandachtig en nauwkeurig door, omdat zij belangrijke informatie bevat over veiligheidsvoorzieningen, installatie en gebruik van het apparaat.

- Het product is alleen bedoeld om binnenshuis te worden gebruikt.
- Gebruik het apparaat nooit als de stroomtoevoer of stekker beschadigd is, als het niet juist werkt, het op de grond is gevallen en beschadigd of in het water is gevallen. Breng in dergelijke gevallen het apparaat naar een gespecialiseerde service om te controleren of het apparaat veilig is en correct werkt.
- Deze aanbevelingen zijn van toepassing op dit product of productlijn.
- Deze handleiding moet zorgvuldig bewaard worden voor toekomstig gebruik.
- Zorg ervoor dat kinderen het apparaat niet kunnen bedienen.
- Wanneer u hebt apparaat verkocht of verplaatst, zorg er dan voor dat de persoon die het apparaat bedient of er de service van doet, bekend is met het gebruik en de installatie-instructies in de bijgevoegde handleiding.
- Het product mag uitsluitend worden bediend door een persoon die bekend is met deze gebruiksaanwijzingen.
- Het ingeschakelde apparaat niet zonder toezicht laten werken.
- Wij bevelen aan om het apparaat minimaal 2x per jaar een gespecialiseerde controle en onderhoudsbeurt te geven.
- Gebruik uitsluitend originele onderdelen bij eventuele reparatie of vervanging van onderdelen.
- Het apparaat mag niet schoongemaakt worden met een waterstraal of een hogedrukreiniger.
- Bij storingen of wanneer het apparaat niet goed werkt alle leidingen (water, stroom, gas) afsluiten en contact opnemen met de geautoriseerde service.
- De producent is niet aansprakelijk voor storingen die zijn veroorzaakt door incorrecte installatie, het niet in acht nemen van bovengenoemde aanbevelingen, gebruik dat niet in overeenstemming is met de bestemming van het apparaat enz.
- Het apparaat mag alleen worden gebruikt voor het doel waarvoor het is bedoeld. Elk ander gebruik is verboden en kan leiden tot gevaar of letsel
- Er moet worden gezorgd voor de strengste naleving van de brandbeveiligingsregels
- Tijdens en kort na het bedrijf zijn sommige delen van het apparaat heet
- Het is verboden om tijdens de werking andere delen van het apparaat aan te raken dan de hiervoor bedoelde bedieningselementen

Plaatsing

De volgende richtlijnen in overeenstemming met de normen TPG G 704 01, ČSN 127040 en ČSN 127010 moeten in acht worden genomen voor de juiste werking en opstelling van het apparaat.

Pak het apparaat uit een controleer of het tijdens het transport niet is beschadigd. Plaats het apparaat op een horizontale oppervlakte (de maximale oneffenheid mag maximaal 2° bedragen). Kleine oneffenheden kunnen worden opgevangen met de stelvoeten.

Als het apparaat zodanig geplaatst is dat het in contact komt met de wanden van het meubilair, dan moeten deze bestand zijn tegen temperatuur tot 60 °C. Installatie, afstelling en inbedrijfstelling moet door een gekwalificeerd persoon uitgevoerd worden die bevoegd is voor deze handelingen in overeenstemming met de toepasselijke normen.

Het apparaat kan afzonderlijk worden geïnstalleerd of in serie met door ons geproduceerde apparaten. Er moet een minimale afstand van 10 cm tot brandbare materialen aangehouden worden. In dit geval is het ook noodzakelijk de nodige aanpassingen uit te voeren om de warmte-isolatie van de brandbare onderdelen te waarborgen.

Het apparaat mag alleen worden geïnstalleerd op een onbrandbare ondergrond of tegen een onbrandbare wand.

De kleinste vereiste luchtstroming vanuit de buitenruimte voor de apparaten van versie A ligt in het bereik van 5-20 m³/h, afhankelijk van het type apparaat. Het hangt af van de installatievoorschriften van het land van bestemming.

De door de fabrikant of zijn vertegenwoordiger beveiligde onderdelen van het apparaat mag de persoon die de installatie van het product doet, niet wijzigen.

Veiligheidsvoorzieningen in verband met brandpreventie conform ČSN 061008 art. 21

- het apparaat mag uitsluitend door volwassenen bediend worden
- het apparaat kan veilig gebruikt worden in overeenstemming van de volgende normen:
ČSN 33 2000-4-482: Brandbeveiliging in gebieden met een speciaal risico of gevaar
ČSN 33 2000-4-42: Bescherming tegen invloeden van warmte

- het apparaat moet zo worden geplaatst dat het stevig staat of hangt op een vuurbestendige ondergrond

Op of naast het apparaat mogen zich geen brandbare voorwerpen bevinden binnen de veilige afstand die voor het apparaat is vastgesteld (de kleinste afstand tot brandbare materialen bedraagt 10 cm).

Tabel: De mate van brandbaarheid van bouwmaterialen (ČSN 730823) weergegeven per substantie en product

Mate van brandbaarheid	Bouwmaterialen
A – niet brandbaar	Graniet, zandsteen, beton, baksteen, keramische bekleding, pleisterwerk
B – heel moeilijk brandbaar	Acuminiet, heracliet, lihnos, itaver
C1 – moeilijk brandbaar	Hout, loofhout, fineer, sirkoklit, verstevigd papier, umakart
C2 – gemiddeld brandbaar	Spaanplaat, solodur, kurkplaat, harde rubber, vloerbedekking
C3 – zeer brandbaar	Vezelplaat, polystyreen, polyurethaan, PVC

• Informatie over mate van brandbaarheid van gewone bouwmaterialen staan in de tabel hieronder. Installeer het apparaat op veilige wijze. Neem bij de installatie de voorschriften voor ontwerp, veiligheid en arbeidshygiëne in acht overeenkomstig:

- ČSN 06 1008 brandveiligheid van lokale apparaten en warmtebronnen
- ČSN 33 2000-4-482 brandbeveiliging in gebieden met een speciaal risico of gevaar
- ČSN 33 2000-4-42 bescherming tegen invloeden van warmte

Aansluiting van de elektrische kabel op het elektriciteitsnet

De aansluiting op het elektriciteitsnet - de voedingskabel moet zelfstandig beveiligd worden. Namelijk door de toepassing van een zekering voor nominale stroom, afhankelijk van het aansluitvermogen van het geïnstalleerde apparaat. Controleer het aansluitvermogen van het apparaat op het typeplaatje dat zich op het achterpaneel (of zijkant) van het apparaat bevindt.

De aangesloten aardkabel moet langer zijn dan de andere kabels. Sluit het apparaat direct op het elektriciteitsnet aan. Het is absoluut noodzakelijk om tussen het apparaat en het elektriciteitsnet een schakelaar te monteren die minimaal 3 mm van het enkelvoudige contact is verwijderd en die voldoet aan de geldende normen en belastingen. De aardkabel (geelgroen) mag niet door deze schakelaar worden onderbroken. Als het apparaat bedoeld is voor aansluiting in het stopcontact, sluit dit aan op het elektriciteitsnet als het stopcontact van een overeenkomstige zekering voorzien is.

De voedingskabel moet dusdanig worden bevestigd, dat hij op geen enkel punt warmer kan worden dan 50 °C boven de omgevingstemperatuur. Voordat u het apparaat aansluit op het elektriciteitsnet moet u controleren of:

- de voedingszekering en de stroomverdeler de stroombelasting van het apparaat verdragen (zie het matrixplaatje),
- het distributiepaneel is uitgerust met een aarding volgens de normen (ČSN) en de wettelijke voorschriften
- het stopcontact of de schakelaar in de voeding goed bereikbaar zijn vanaf het apparaat
- elektrische voedingleiding naar het apparaat moet gemaakt zijn van oliebestendig materiaal

We zijn niet aansprakelijk wanneer deze normen en de bovengenoemde principes niet in acht worden genomen.

Maak voor het eerste gebruik het apparaat schoon, zie het hoofdstuk „Reiniging en onderhoud“. Het apparaat moet geaard worden met behulp van de schroef met een aardingsmarkering.

- Dit label geeft het aardingspunt van het apparaat aan
- Steek de stekker van de voedingskabel niet in het stopcontact en trek ze niet uit het stopcontact met natte handen en door aan de voedingskabel te trekken!
- Gebruik geen verlengsnoeren of blok contactdozen.
- Het aansluitpunt van het net moet maximaal de ondervermelde impedantie Z_{MAX} conform ČSN EN 61000-3-11:2001 hebben. $Z_{MAX} = 0,042 + j 0,026 \Omega$ voor fasegeleiders en $0,028 + j 0,017 \Omega$ voor nulgeleider



- Dit label geeft het risico van een elektrische schok aan

Installatie

Belangrijk:

De fabrikant verleent geen garantie voor storingen die zijn ontstaan als gevolg van oneigenlijk gebruik, het niet in acht nemen van de instructies in bijgevoegde gebruikershandleiding en verkeerde hantering van het apparaat.

Installatie-, aanpassings- en reparatiewerkzaamheden op het apparaat voor grote keukens, evenals hun demontage als gevolg van mogelijke schade aan de gastoevoer, kunnen alleen worden uitgevoerd op basis van een onderhoudscontract. Dit contract kan met een geautoriseerde verkoper afgesloten worden, met inachtneming van de technische voorschriften en normen en voorschriften betreffende installatie, elektrische toevoerleidingen, gasaansluiting en arbeidsveiligheid.

Technische instructies voor installatie en afstelling zijn **UITSLUITEND** bestemd om door gespecialiseerde technici te worden gebruikt.

De volgende instructies zijn bestemd voor een technicus die de juiste kwalificaties bezit voor de installatie, om te verzekeren dat hij alle handelingen op de juiste manier en in overeenstemming met de geldende normen kan uitvoeren.

Iedere handeling die te maken heeft met onder andere regulatie, moet worden uitgevoerd terwijl het apparaat is losgekoppeld van de stroomvoorziening. Indien het apparaat toch onder spanning moet staan, dient u de grootst mogelijke voorzichtigheid in acht te nemen.

Het type apparaat voor de uitvoering van afzuiging staat vermeld op het typeplaatje, dit zijn de apparaten van het type A1.

GEBRUIKSAANWIJZING

Opgelet! Voordat u het apparaat gebruikt, moet u de beschermende folie van het gehele oppervlak verwijderen, het vervolgens goed met water en afwasmiddel wassen en daarna met een vochtige doek afnemen. Vetopvanglade.

De vetopvanglade moet regelmatig gecontroleerd en op tijd geleegd worden. De vetopvanglade moet na elke uitschakeling van het apparaat schoongemaakt worden.

De apparaten met een kookplaat dat in twee helften verdeeld is, kunnen op verschillende temperaturen op beide helften van de kookplaten ingesteld worden, of er kan slechts één helft gebruikt worden.

Schakel het apparaat met de hoofdschakelaar (D) in, het controlelampje (C) in de schakelaar geeft aan dat het apparaat is ingeschakeld. Draai de knop (A) en stel het gewenste vermogen in. De controlelampjes (B) en (C) branden. Het controlelampje

(C) brandt als het apparaat onder stroom staat. Het controlelampje (B) brandt als de warmtespiralen in werking zijn.

Het controlelampje (B) gaat uit als het apparaat de ingestelde temperatuur heeft bereikt. Schakel het apparaat uit door de knop (A) naar de positie "0" te draaien, en daarna de hoofdschakelaar (D) uit te schakelen.

Gebruik het apparaat uitsluitend onder continu toezicht.



REINIGING EN ONDERHOUD

Het apparaat moet ten minste 2x per jaar door een gespecialiseerde service gecontroleerd worden. Alle ingrepen aan het apparaat mogen slechts door een gekwalificeerd persoon worden uitgevoerd, die daartoe bevoegd is.

OPGELET! Het apparaat mag niet schoongemaakt worden met een directe waterstraal of met een hogedrukreiniger. Maak het apparaat elke dag schoon. Dankzij het dagelijks onderhoud bent u verzekerd van een lange levensduur en de efficiëntie van het apparaat. Controleer voordat u begint met schoonmaken of het apparaat is losgekoppeld van het elektriciteitsnet. Onderbreek altijd de stroomvoorziening van het apparaat. Maak de elementen van roestvrijstaal schoon met een vochtige doek en een klein beetje schoonmaakmiddel zonder schurende deeltjes en droog met een doek. Gebruik geen schurende of corrosieve schoonmaakmiddelen.

Opgelet! Voordat u het apparaat gebruikt, moet u de beschermende folie van het gehele oppervlak verwijderen, het vervolgens goed met water en schoonmaakmiddel wassen en daarna met een vochtige doek afnemen.

Maatregelen bij storingen Onderbreek de stroom-/gasvoorziening en neem contact op met de serviceafdeling van de verkoper.

De garantie dekt niet alle verbruiksartikelen die onderhevig zijn aan normale slijtage (rubber dichtingen, lampjes, glazen en plastic onderdelen enz.). De garantie strekt zich ook niet uit over apparaten die niet zijn geïnstalleerd door bevoegde personen in overeenstemming met de instructies in de gebruiksaanwijzing en de van toepassing zijnde normen en indien het apparaat onjuist is behandeld (ingrepen in binnenapparatuur enz.) of indien het apparaat bediend is door ongetraind personeel en in de strijd met de gebruiksaanwijzing. Verder dekt de garantie geen schade veroorzaakt door natuurlijke verschijnselen of andere externe invloeden.

De transportverpakkingen en apparaten moeten aan het einde van hun levensduur aan een inzamelplaats overhandigd worden, in overeenstemming met de voorschriften voor afval en gevaarlijk afval beheer.

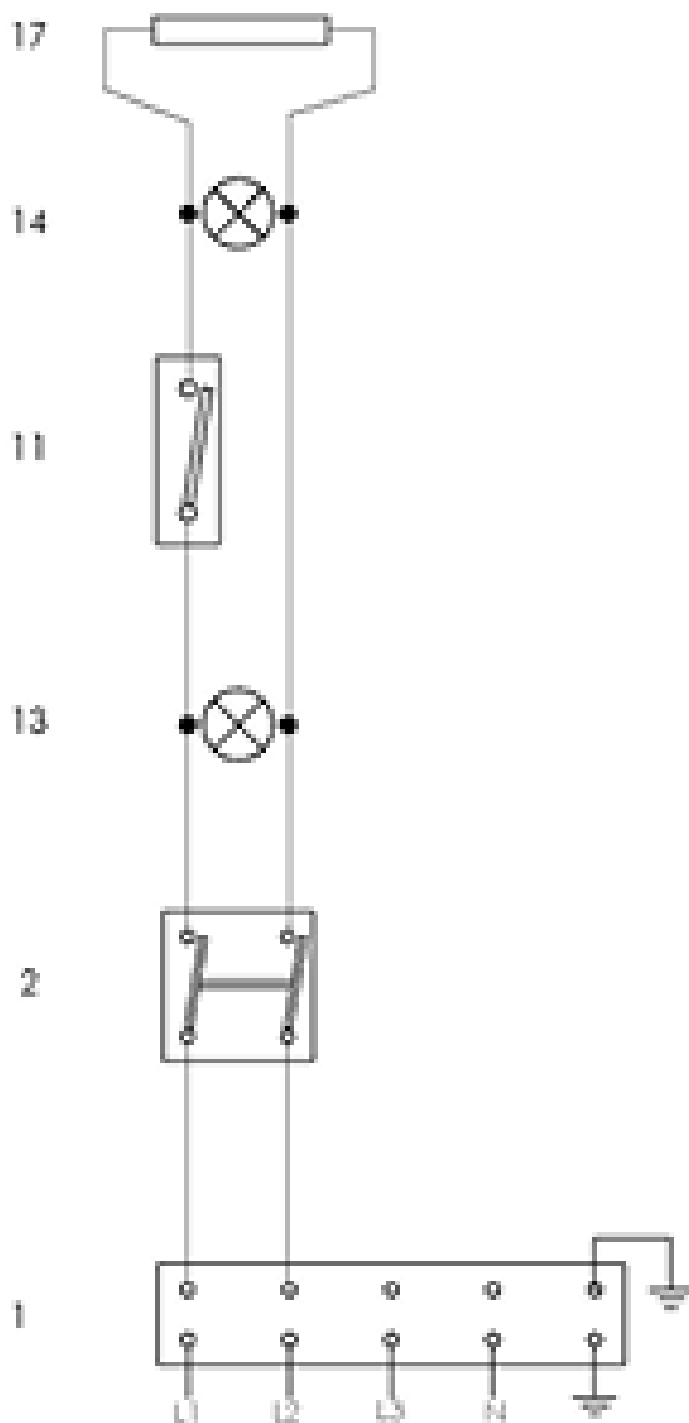
Reiniging en onderhoud van de staalgelegeerde plaat:




- opwarmen
- uitschakelen
- met een spatel reinigen (mag van metaal zijn)
- gebruik water met afwasmiddel (kan een RM grillplaat zijn) en verwijder onzuiverheden en aanslag
- gebruik schoon water (geschikt is een oplossing met azijn of citroen)
- verwijder water en droog af met een doek
- resterend vocht laten verdampen (dit gaat beter als de plaat nog warm is)
- de grillplaten met plantaardige olie insmeren

Reiniging en onderhoud van de verchroomde plaat:

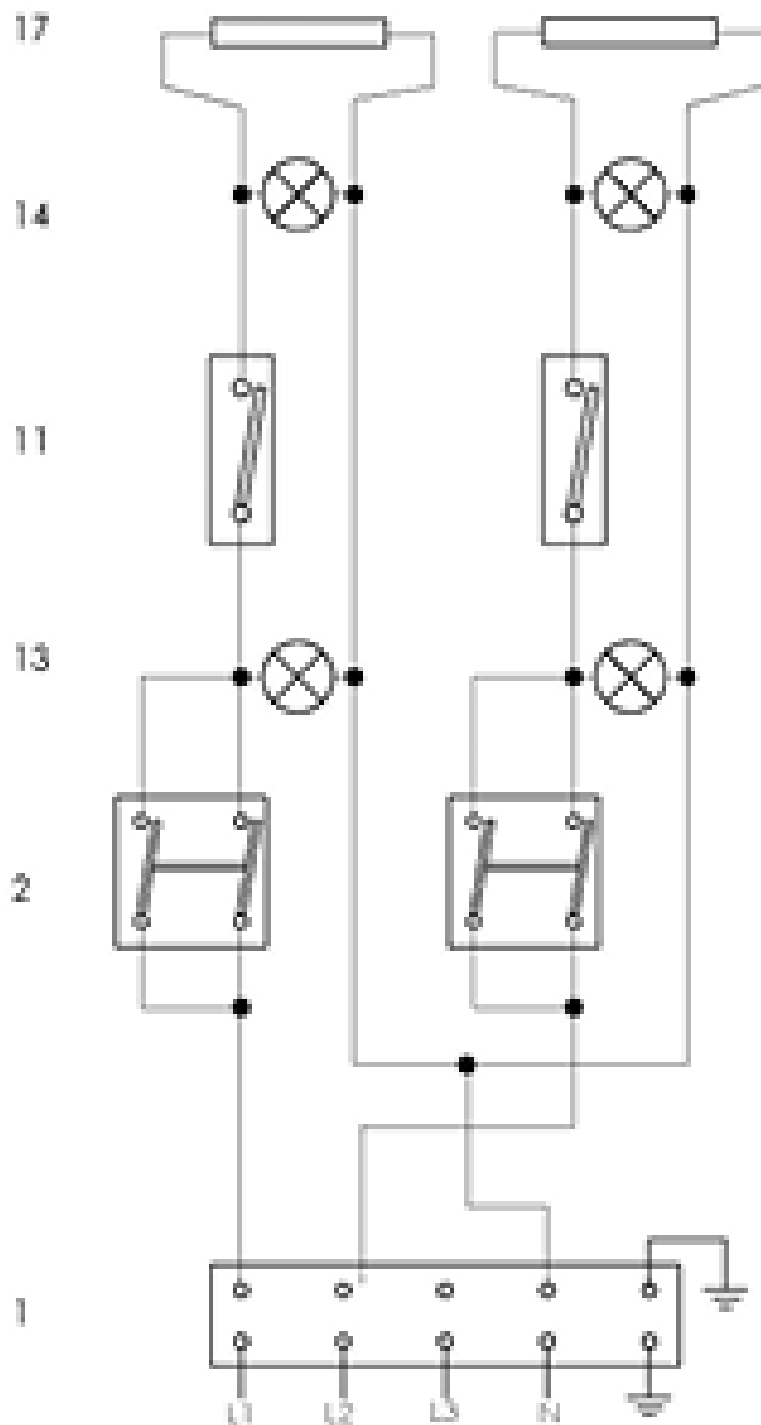
- opwarmen
- uitschakelen
- met een plastieken spatel reinigen
- water met afwasmiddel aanbrenge en met een spons schrobben
- gebruik schoon water
- verwijder water en droog af met een doek
- resterend vocht laten verdampen (dit gaat beter als de plaat nog warm is)


**EL. CONNECTION DIAGRAM / SCHALTPLAN / SCHÉMA DU ELECTRIQUE
FT** 30**



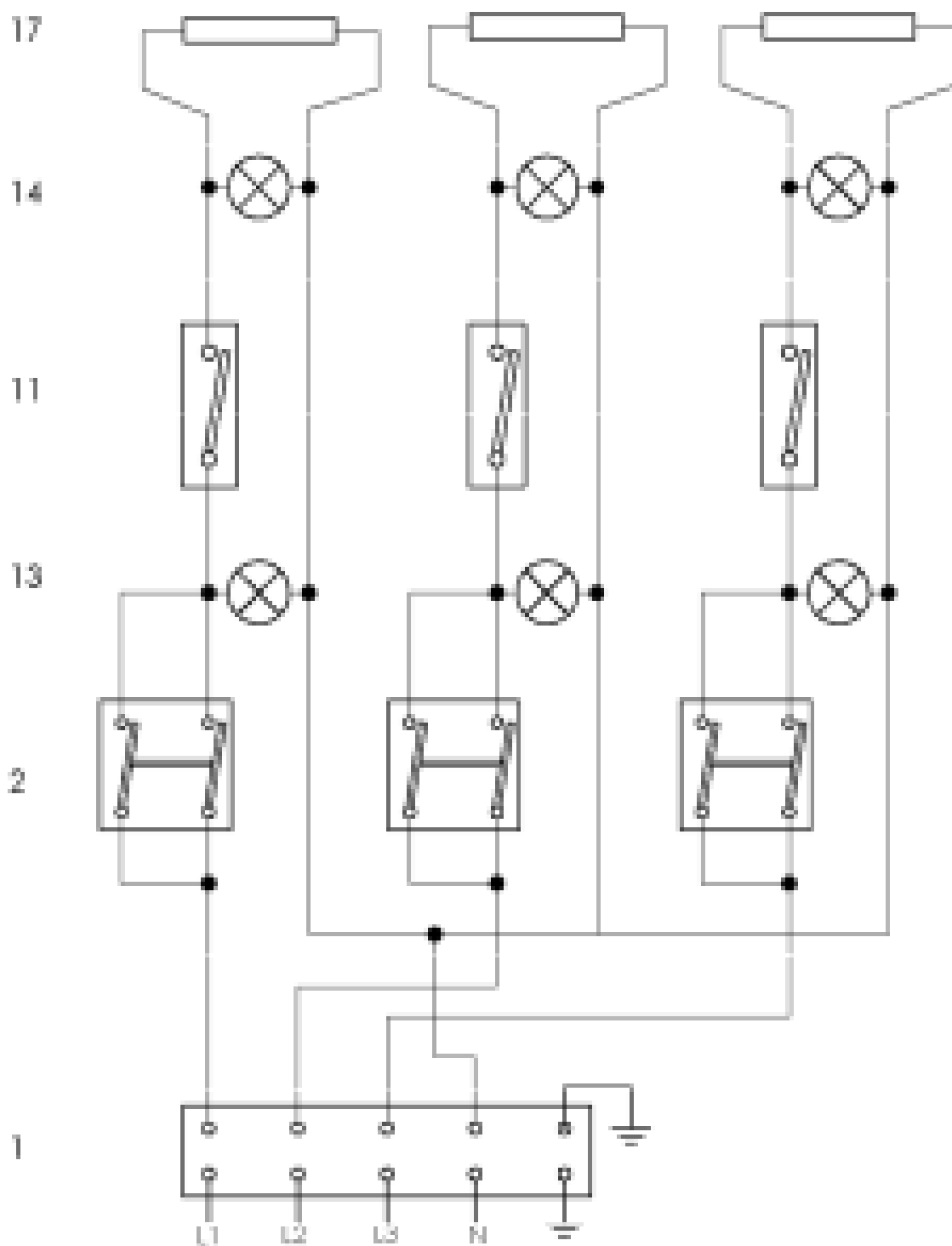
	 ENGLISH	 DEUTSCH	 FRANÇAIS
1	TERMINAL BOARD	KLEMMSBRETT	TABLETTE A BORNES
12	SAFETY THERMOSTAT	SICHERHEITSTHERMOSTAT	THERMOSTAT DE SECURITÉS
2	BACKLIT SWITCH	LEUCHTSCHALTER	INTERUPTEUR PRINCIPAL
11	THERMOSTAT	TERMOSTAT	THERMOSTAT
13	ORANGE CONTROL LIGHT	ORANGEKONTROLLEUCHT	VOYANTE ORANGE
14	GREEN CONTROL LIGHT	GRÜNES KONTROLLEUCHT	VOYANTE VERT
17	HEATING ELEMENT	HEIZELEMENT	RÉCHAUFFER
8	CONTACTOR	SCHÜTZ	CONTACTEUR
9	CONTACTOR COIL	SCHÜTZSPULE	BOBINE DU CONTACTEUR



**EL. CONNECTION DIAGRAM / SCHALTPLAN / SCHÉMA DU ELECTRIQUE
FT** 60**



	 ENGLISH	 DEUTSCH	 FRANÇAIS
1	TERMINAL BOARD	KLEMMSBRETT	TABLETTE A BORNES
12	SAFETY THERMOSTAT	SICHERHEITSTHERMOSTAT	THERMOSTAT DE SECURITÉS
2	BACKLIT SWITCH	LEUCHTSCHALTER	INTERUPTEUR PRINCIPAL
11	THERMOSTAT	TERMOSTAT	THERMOSTAT
13	ORANGE CONTROL LIGHT	ORANGEKONTROLLEUCHT	VOYANTE ORANGE
14	GREEN CONTROL LIGHT	GRÜNES KONTROLLEUCHT	VOYANTE VERT
17	HEATING ELEMENT	HEIZELEMENT	RÉCHAUFFER
8	CONTACTOR	SCHÜTZ	CONTACTEUR
9	CONTACTOR COIL	SCHÜTZSPULE	BOBINE DU CONTACTEUR

**EL. CONNECTION DIAGRAM / SCHALTPLAN / SCHÉMA DU ELECTRIQUE
FT** 90**



	 ENGLISH 	 DEUTSCH 	 FRANÇAIS 
1	TERMINAL BOARD	KLEMMSBRETT	TABLETTE A BORNES
12	SAFETY THERMOSTAT	SICHERHEITSTHERMOSTAT	THERMOSTAT DE SECURITÉS
2	BACKLIT SWITCH	LEUCHTSCHALTER	INTERUPTEUR PRINCIPAL
11	THERMOSTAT	TERMOSTAT	THERMOSTAT
13	ORANGE CONTROL LIGHT	ORANGEKONTROLLEUCHT	VOYANTE ORANGE
14	GREEN CONTROL LIGHT	GRÜNES KONTROLLEUCHT	VOYANTE VERT
17	HEATING ELEMENT	HEIZELEMENT	RÉCHAUFFER
8	CONTACTOR	SCHÜTZ	CONTACTEUR
9	CONTACTOR COIL	SCHÜTZSPULE	BOBINE DU CONTACTEUR

PROHLÁŠENÍ O SOULADU S NORMAMI

Výrobce prohlašuje, že přístroje splňují základní požadavky směrnice 2014/30/EU (nařízení vlády č. 117/2016 Sb.) a požadavky směrnice 2014/35/EU (nařízení vlády č. 118/2016 Sb.).

Pozor, výrobce se vzdává jakékoli odpovědnosti v případě přímých i nepřímých poškození, které se vztahují ke špatné instalaci, nesprávným zásahem nebo úpravami, nedostatečnou údržbou, nesprávným používáním, a které jsou eventuálně způsobeny jinými příčinami, jež uvádí body uvedené v podmínkách prodeje. Tento spotřebič je určen pouze pro odborné používání a musí být obsluhován kvalifikovanými osobami. Části, které byly po nastavení zajištěny výrobcem nebo pověřeným pracovníkem, nesmí uživatel přestavovat.

TECHNICKÁ DATA

Štítek s technickými údaji je umístěn na boku či zadním panelu přístroje. Před instalací si prostudujte elektrické schéma zapojení a všechny následující informace.

MODEL	NAPĚTÍ (V)	VÝKON (KW)	PLOTNA (CM)	ROZMĚRY VÝROBK (CM)
FTH – 30EL	230	3	32 x 48	33 x 60 x 29 v
FTR – 30EL	230	3	32 x 48	33 x 60 x 29 v
FTHC – 30EL	230	3	32 x 48	33 x 60 x 29 v
FTRC – 30E	230	3	32 x 48	33 x 60 x 29 v
FTH – 60EL	400	6	65 x 48	66 x 60 x 29 v
FTHR – 60EL	400	6	65 x 48	66 x 60 x 29 v
FTHC – 60EL	400	6	65 x 48	66 x 60 x 29 v
FTHRC – 60EL	400	6	65 x 48	66 x 60 x 29 v
FTH – 90EL	400	9	97 x 48	99 x 60 x 29 v
FTHC – 90EL	400	9	97 x 48	99 x 60 x 29 v

KONTROLA OBALU A ZAŘÍZENÍ

Zařízení opouští naše sklady v řádném obalu, na kterém jsou odpovídající symboly a označení. V obalu se nachází odpovídající návod k obsluze. Jestliže by obal měl vykazovat špatné zacházení, známky poškození, musí se okamžitě reklamovat u přepravce a to sepsáním a podepsáním protokolu o škodě. Na pozdější reklamace nebude brán zřetel.

Důležité upozornění

Tento návod musí být řádně a pozorně přečten, protože obsahuje důležité informace o bezpečnostních prvcích, instalaci a použití.

- Výrobek je určen pouze k používání ve vnitřních prostorech.
- Nikdy spotřebič nepoužívejte, pokud má poškozený napájecí přívod nebo vidlici, pokud nepracuje správně, upadl na zem a poškodil se nebo spadl do vody. V takových případech zanechte spotřebič do odborného servisu k prověření jeho bezpečnosti a správné funkce
- Tato doporučení se vztahují na tento výrobek, nebo produktovou linii.
- Tento návod se musí řádně uschovat pro budoucí použití.
- Zabraňte dětem manipulovat s přístrojem.
- Při prodeji nebo přemístění je nutno se přesvědčit, že obsluha nebo odborný servis se seznámil s ovládáním a instalačními pokyny v příloženém návodu.
- Výrobek smí obsluhovat pouze obsluha, která se seznámila s tímto návodem k použití.
- Nesmí být spuštěn bez dozoru.
- Doporučuje se kontrola odborným servisem minimálně 1x ročně.
- Při eventuální opravě nebo výměně dílů musí být použity originální náhradní díly.
- Výrobek se nesmí čistit proudem vody nebo tlakovou sprchou.
- Při poruše nebo špatném chodu výrobku je nutné odpojit veškeré přívody (voda, elektřina, plyn) a zavolat autorizovaný servis.
- Výrobce se vzdává jakékoli zodpovědnosti při poruchách způsobenými chybnou instalací, nedodržením shora uvedených doporučení, jiným užíváním apod.
- Přístroj se smí používat pouze k účelu, ke kterému je určený, jiné použití je zakázané a může vést ke vzniku nebezpečí či úrazu
- Musí být zajištěno nejprísnější dodržování pravidel protipožární ochrany
- Za provozu a krátce po něm jsou některé části spotřebiče horké
- Je zakázáno se během provozu dotýkat jiných částí spotřebiče, než ovládacích prvků k tomu určených

UMÍSTĚNÍ

Ke správné činnosti a umístění spotřebiče je nutné dodržet veškeré předepsané nařízení a zákony dané země.

Rozbalte přístroj a zkontrolujte, zda se přístroj nepoškodil během přepravy. Umístěte přístroj na vodorovnou plochu (maximální nerovnost do 2°). Drobné nerovnosti lze vyrovnat regulovatelnými nožičkami.

Jestliže zařízení bude umístěno tak, že bude v kontaktu se stěnami nábytku, tyto musí odolávat teplotě až 60°C. Instalaci, seřízení, uvedení do provozu musí provést kvalifikovaná osoba, která má k takovýmto úkonům oprávnění a to dle platných norem.

Přístroj může být instalován samostatně nebo v sérii s přístroji naší výroby. Je nutno dodržovat minimální vzdálenost 10 cm od hořlavých materiálů. V tomto případě je nutné zabezpečit odpovídající úpravy, aby byla zabezpečena tepelná izolace hořlavých částí.

Spotřebič se musí instalovat pouze na nehořlavém povrchu nebo u nehořlavé stěny.

Nejmenší požadovaný průtok vzduchu z venkovního prostoru pro spotřebiče v provedení A je v rozmezí 5-20 m³/h, dle typu spotřebiče. Záleží na instalačních předpisech pro danou zemi určení.

Součásti spotřebiče zajištěné výrobcem, nebo jeho zástupcem nesmí pracovník provádějící instalaci výrobku představovat.

Zařízení musí být instalováno ve vhodně větraném prostředí.

BEZPEČNOSTNÍ OPATŘENÍ Z HLEDISKA POŽÁRNÍ OCHRANY PODLE ČSN 061008 ČL. 21

- obsluhu spotřebiče smí provádět pouze dospělé osoby
- spotřebič smí být bezpečně používán v souladu s normami a zákony dané země.
- spotřebič je nutné umístit tak, aby stál nebo visel pevně na nehořlavém podkladu

Na spotřebič a do vzdálenosti menší než bezpečná vzdálenost od něho nesmějí být kladeny předměty z hořlavých hmot (nejmenší vzdálenost spotřebiče od hořlavých hmot je 10 cm).

Tabulka: stupeň hořlavosti stavební hmoty zařazené do st. hořlavosti hmot a výrobků

Stupeň hořlavosti	Stavební hmoty
A - nehořlavé	žula, pískovec, betony, cihly, keramické obkladačky, omítky
B - nesnadno hořlavé	akumin, heraklit, lihnos, itaver
C1 - těžce hořlavé	dřevo, listnaté, překližky sirkoklit, tvrzený papír, umakart
C2 - středně hořlavé	dřevotřískové desky, solodur, korkové desky, pryž, podlahoviny
C3 - lehce hořlavé	dřevovláknité desky, polystyrén, polyureten, PVC

• informace o stupni hořlavosti běžných stavebních hmot uvádí tabulka výše. Spotřebiče musí být instalovány bezpečným způsobem. Při instalaci musí být dále respektovány příslušné projektové, bezpečnostní a hygienické předpisy a zákony dané země.

INSTALACE



Důležité:

Výrobce neposkytuje žádnou záruku na závady, vzniklé v důsledku nesprávného používání, nedodržování instrukcí obsažených v příloženém návodu k použití a špatným zacházením se spotřebiči.

Instalaci, úpravy a opravy spotřebičů pro velkokuchyně, tak jako i jejich demontáž z důvodu možného poškození přívodu plynu, mohou být prováděny pouze na základě smlouvy o údržbě, tato smlouva může být uzavřena s autorizovaným prodejcem, přičemž musí být dodržovány technické předpisy a normy a předpisy týkající se instalace, elektrického přívodu, plynové přípojky a bezpečnosti práce.

Technické instrukce pro instalaci a seřízení, k použití POUZE pro specializované techniky.

Instrukce, které následují, se obrací k technikovi kvalifikovanému pro instalaci, aby provedl všechny operace způsobem co nejkorektnějším a podle platných norem.

Jakákoli činnost spojená s regulací apod. musí být vykonána pouze se zařízením odpojeným ze sítě. Je - li nutno udržovat spotřebič pod napětím je nutno dbát nejvyšší opatrnosti.

Typ spotřebiče pro provedení odtahu je deklarován na typovém štítku, jedná se o spotřebiče typu A1.

PŘIPOJENÍ ELEKTRICKÉHO KABELU DO SÍTĚ

Instalace elektrického přívodu - tento přívod musí být samostatně jištěn. A to odpovídajícím jističem jmenovitého proudu v závislosti na příkonu instalovaného přístroje. Příkon přístroje zkontrolujte na výrobním štítku na zadním panelu (či boku) přístroje.

Připojený zemnicí vodič musí být delší než ostatní vodiče. Přístroj připojte přímo na síť, je nezbytné vložit mezi spotřebič a síť vypínač s minimální vzdáleností 3 mm mezi jednotlivými kontakty, který odpovídá platným normám a zatížením. Přívod uzemnění (žlutozelený) nesmí tímto spínačem být přerušen. Přístroj určený pro připojení do zásuvky, připojte do sítě pokud má zásuvka odpovídající jištění.

V každém případě přívodní kabel musí být umístěn tak, že v žádném bodě nedosáhne teploty o 50 stupňů vyšší než prostředí. Než bude spotřebič připojen do sítě, je nutné se nejprve ujistit, že:

- přívodní jistič a vnitřní rozvod snesou proudové zatížení spotřebiče (viz štítek matrice)
- rozvod je vybaven účinným uzemněním podle norem a podmínek daných zákonem
- zásuvka nebo vypínač v přívodu jsou dobře přístupné od spotřebiče
- elektrický přívod do zařízení musí být z olejovzdorného materiálu

Vzdáváme se jakékoli zodpovědnosti v případě, že tyto normy nebudou respektovány a v případě porušení výše uvedených zásad.

Před prvním použitím musíte přístroj vyčistit viz. kapitola „čištění a údržba“. Spotřebič musí být uzemněn pomocí šroubu se značkou uzemnění.



- Tato etiketa označuje uzemňovací bod zařízení



- **Vidlici napájecího přívodu nezasunujte do el. zásuvky a nevytahujte z el. zásuvky mokřými rukama a taháním za napájecí přívod!**

- **Nepoužívejte prodlužovací kabely nebo sdružené zásuvky.**

- **Přípojný bod sítě musí mít maximálně níže uvedenou impedanci ZMAX dle EN 61000-3-11:2001. ZMAX = 0,042 + j 0,026 Ω pro fázové vodiče a 0,028 + j 0,017 Ω pro nulový vodič**

NÁVOD K POUŽITÍ

Pozor! Než-li začnete přístroj používat, je nutné z celého povrchu sejmout ochranné fólie, a pak jej dobře omýt vodou se saponátem na nádobí, a poté otřít vlhkým hadrem.

Nádoba na sběr tuku.

Nádobu je třeba kontrolovat pravidelně a zavčas ji vyprázdnit. Nádobu musíte vyčistit po každém vypnutí spotřebiče.

Přístroje, které mají varnou plochu rozdělenou na dvě poloviny je možné nastavit na různé teploty na obou polovinách plotny nebo můžete použít jenom jednu polovinu.

Zapněte hlavním vypínačem (D), kontrolka(C) ve vypínači indikuje zapnutí přístroje. Otočte ovladačem (A) a nastavte na vámi požadovaný výkon. Kontrolky (B) a (C) budou svítit. Kontrolka (C) svítí, když je přístroj pod el. proudem. Kontrolka (B) svítí, pokud jsou v chodu tepelné spirály. Kontrolka (B) zhasne, až je přístroj vyhřátý na nastavenou teplotu. Přístroj vypnete, když otočíte ovladačem (A) do polohy „0“ a vypnete hlavním vypínačem (D). Používejte přístroj pouze pod dohledem.

POPIS OVLÁDÁNÍ



- Ⓐ Ovládací knoflík
- Ⓑ Kontrolka vyhřátí
- Ⓒ Ⓓ Hlavní vypínač prosvětlený (indikuje, že je zařízení pod el. proudem)

ČIŠTENÍ A ÚDRŽBA

POZOR! Zařízení se nesmí čistit přímou nebo tlakovou vodou. Čistěte zařízení denně. Denní údržba prodlužuje životnost a účinnost zařízení. Před započetím čištění se přesvědčte, jestli jste odpojili zařízení od elektrického proudu. Vždy vypněte hlavní přívod k zařízení. Nerezové části omyjte vlhkým hadrem se saponátem bez hrubých částic, vytřete do sucha. Nepoužívejte abrasivní nebo korosivní čisticí prostředky. Všechny zbytky jídla musí být z pracovní plochy odstraněny, můžete použít špachtli. Po každém čištění zařízení musíte potřít grilovací plochy rostlinným olejem.

JAK POSTUPOVAT V PŘÍPADĚ PORUCHY

Vypněte elektrický, plynový přívod a zavolejte servisní organizaci prodejce.

!!! PO KAŽDÉM POUŽITÍ NATŘÍT PLOTNU STOLNÍM OLEJEM !!!

Čištění a údržba ocelo-slitinové desky:

- zahřát
- vypnout
- stáhnout špachtli (klidně kovovou)
- aplikovat vodu s chemií (může být RM gril) a vydrhnout zbytkové nečistoty a usazeniny
- aplikovat čistou vodu (vhodný je roztok s octem nebo citon)
- stáhnout vodu a vysušit hadrem
- nechat z desky vypařit zbytkovou vlhkost (když bude ještě teplá tím lépe)
- potřít grilovací plochy rostlinným olejem

Čištění a údržba chromované desky:

- zahřát
- vypnout
- stáhnout plastovou škrabkou
- aplikovat vodu se saponátem a vydrhnout houbičkou
- aplikovat čistou vodu
- stáhnout vodu a vysušit hadrem
- nechat z desky vypařit zbytkovou vlhkost (když bude ještě teplá tím lépe)

UPOZORNĚNÍ

Záruka se navztahuje na všechny spotřební díly podléhající běžnému opotřebení (gumová těsnění, žárovky, skleněné a plastové díly atd.). Záruka se též nevztahuje na zařízení pokud není provedena instalace v souladu s návodem – oprávněným pracovníkem dle odpovídajících norem a pokud bylo se zařízením neodborně manipulováno (zásahy do vnitřního zařízení atd.) nebo bylo obsluhováno nezaškoleným personálem a v rozporu s návodem k použití, dále se záruka nevztahuje na poškození přírodními vlivy či jiným vnějším zásahem.

Přepravní obaly a zařízení po ukončení životnosti odevzdejte do sběru, dle předpisů o nakládání s odpadem a nebezpečným odpadem.

OŚWIADCZENIE ZGODNOŚCI Z NORMAMI

Producent oświadcza, że urządzenia są wykonane według polskich norm i przepisów Unii Europejskiej. Montaż musi być przeprowadzony zgodnie z obowiązującymi normami, zwłaszcza w kwestii odpowiedniego wietrzenia pomieszczeń i systemu odprowadzenia spalin.

Uwaga!

Producent nie odpowiada za szkody wynikłe pośrednio lub bezpośrednio przez: złą instalację, niewłaściwą obsługę lub przeróbki, niedostateczną konserwację lub inne przyczyny niezgodne z punktami warunków sprzedaży. Urządzenie to przeznaczone jest do profesjonalnego użytkowania i musi być obsługiwane osobami o odpowiedniej kwalifikacji. Części, które były po nastawieniu zabezpieczone przez producenta lub pracownika serwisu nie mogą być zmieniane.

DANE TECHNICZNE

Tabliczka znamionowa znajduje się na tylnej części obudowy urządzenia. Przed instalacją zaleca się zapoznanie z instrukcją obsługi i wszystkimi niżej umieszczonymi informacjami.

TYP	Napięcie (V)	Moc (KW)	Wymiar pow. roboczej (CM)	WYMIAR (CM)
FTH – 30EL	230	3	32 x 48	33 x 60 x 29 v
FTR – 30EL	230	3	32 x 48	33 x 60 x 29 v
FTHC – 30EL	230	3	32 x 48	33 x 60 x 29 v
FTRC – 30E	230	3	32 x 48	33 x 60 x 29 v
FTH – 60EL	400	6	65 x 48	66 x 60 x 29 v
FTHR – 60EL	400	6	65 x 48	66 x 60 x 29 v
FTHC – 60EL	400	6	65 x 48	66 x 60 x 29 v
FTHRC – 60EL	400	6	65 x 48	66 x 60 x 29 v
FTH – 90EL	400	9	97 x 48	99 x 60 x 29 v
FTHC – 90EL	400	9	97 x 48	99 x 60 x 29 v

KONTROLA OPAKOWANIA I URZĄDZENIA

Urządzenie opuszcza zakłady odpowiednio zapakowane, właściwie oznakowane i etykietowane. Posiada również instrukcję obsługi. W przypadku, kiedy opakowanie nosioznaki niewłaściwego traktowania lub uszkodzenia, należy bezzwłocznie zgłosić ten fakt na piśmie u przewoźnika i podpisać protokół szkody.

Ważne

Niniejsza instrukcja powinna być przeczytana z uwagą, ponieważ zawiera ważne informacje bezpieczeństwa, montażu oraz obsługi.

-Produkt nie jest przeznaczony na zewnątrz - tylko do użytku w pomieszczeniach.

-Nigdy nie używaj urządzenia, jeśli przewód zasilający lub wtyczka zostały uszkodzone; jeśli nie działa prawidłowo, spadł na ziemię i został uszkodzony, lub wpadł do wody.

W takich przypadkach należy wezwać autoryzowany serwis lub dostarczyć urządzenie do serwisu, aby było możliwe sprawdzenie bezpieczeństwa i poprawności działania.

· należy uważnie zapoznać się z niniejszą instrukcją obsługi, ponieważ zawiera ona ważne informacje dotyczące elementów bezpieczeństwa, montażu i użytkowania

· podane zalecenia odnoszą się do opisanego produktu

· niniejszy produkt jest zgodny z obowiązującymi normami

· instrukcję należy zachować do przyszłego użytku

· produkt powinien znajdować się poza zasięgiem dzieci

· w razie sprzedaży lub przeniesienia produktu w inne miejsce, należy upewnić się, że personel obsługi oraz serwisanci zapoznali się z zaleceniami dotyczącymi obsługi i instalacji podanymi w załączonej instrukcji

· urządzenie mogą obsługiwać tylko upoważnione do tego osoby

· nie należy pozostawiać włączonego urządzenia bez nadzoru

· zalecamy, aby produkt był sprawdzany przez profesjonalny serwis przynajmniej raz w roku

· w razie napraw, należy używać wyłącznie oryginalnych części zamiennych

 · produktu nie należy czyścić strumieniami wody lub ciśnieniowo

· w razie uszkodzenia lub awarii, należy odłączyć wszystkie przewody zasilające (wodne, gazowe, elektryczne) i wezwać fachowy serwis

· producent nie bierze odpowiedzialności za szkody powstałe z powodu niewłaściwego montażu, nieprzestrzegania powyższych zaleceń, użytkowania niezgodnego z przeznaczeniem, itp.

- Produkt jest przeznaczony do użytku tylko w pomieszczeniach.

Nigdy nie używaj urządzenia, jeśli przewód zasilający lub wtyczka zostały uszkodzone, jeśli nie działa prawidłowo, spadł na ziemię i został uszkodzony lub wpadł do wody. W takich przypadkach należy zanieść urządzenie do specjalistycznej służby, aby sprawdzić jego bezpieczeństwo i prawidłowe działanie

INFORMACJA O INSTALACJI, UMIEJSCOWIENIE

Do regulacji i instalacji urządzenia jest konieczne, by pomieszczenie - kuchnia - było odpowiednio wietrzona (wg istniejących norm). Jeżeli urządzenie będzie umieszczone tak, że będzie stykać się ze ścianą pomieszczenia (kuchni), musi być ściana odporna na temperaturę powyżej 60°C.

Ważne jest by po odpakowaniu urządzenia, skontrolować czy urządzenie nie zostało uszkodzone w czasie transportu. Urządzenie umieścić na poziomej powierzchni (z max nierównościami do 2°). Drobne nierówności można wyrównać za pomocą nóżek.

Urządzenie może być instalowane oddzielnie lub w serii z innymi urządzeniami naszej produkcji. Jest ważne utrzymać odległość 10 cm od materiałów łatwopalnych. W takim przypadku ważne jest dodatkowe zabezpieczenie materiałami izolującymi.

Ważne

Producent nie odpowiada za usterki, które powstały na skutek nieodpowiedniej eksploatacji urządzenia wbrew instrukcji obsługi.

Poniższe instrukcje przeznaczone są dla wykwalif kowanego pracownika autoryzowanego serwisu, aby przeprowadził instalację w poprawny sposób, zgodnie z obowiązującymi normami.

Jakakolwiek regulacja powinna być przeprowadzona przy urządzeniu odłączonym od sieci. Jeśli jednak zaistnieje konieczność regulacji w trakcie pracy urządzenia, należy zachować szczególną ostrożność.

INSTALACJA

Instalacja, naprawy i ustawienia urządzeń do kuchni profesjonalnych i demontaż mogą być przeprowadzane tylko na podstawie umowy o utrzymywaniu. Taka umowa może być podpisana ze sprzedawcą urządzenia. Muszą być zachowane wszystkie normy i przepisy dotyczące instalacji i bezpieczeństwa pracy.

Wentylacja pomieszczenia musi być odpowiednio zaprojektowana, wg. istniejących przepisów i norm. Urządzenie może być zainstalowane samodzielnie lub w serii z innymi naszymi urządzeniami. Od ewentualnej ściany z łatwopalnego materiału musi być dotrzymany odstęp ponad 10cm.

PODŁĄCZENIE PRZEWODU ELEKTRYCZNEGO DO SIECI

Przewód elektryczny powinien posiadać oddzielny bezpiecznik, odpowiadający mocy instalowanego pieca. Moc urządzenia należy skontrolować na tabliczce znamionowej umieszczonej na bocznej ścianie urządzenia.


Przewód uziemiający musi być dłuższy od pozostałych przewodów. Urządzenie należy podłączyć bezpośrednio do sieci. Między urządzeniem a siecią należy zamontować wyłącznik zabezpieczający zgodny z normami. Przewód uziemiający (żółto-zielony) nie może być podłączony do tego wyłącznika.

Przewód elektr. powinien być umieszczony tak, aby w żadnym punkcie nie osiągnął temp. o 50° wyższej od otoczenia. Przed podłączeniem do sieci należy sprawdzić czy:

- bezpiecznik wewn. oraz instalacja są odpowiednie do obciążenia urządz.(patrz tabl. znam.)
- instalacja posiada uziemienie zgodne z normami
- wył. zabezp. jest łatwo dostępny

Producent nie ponosi odpowiedzialności w przypadku nie zachowania odpowiednich norm lub naruszenia w / w zasad.

Przed użyciem, urządzenie należy wyczyścić (patrz rozdz. czyszczenie i konserwacja). Urządzenie musi być uziemione za pomocą śruby z oznaczeniem uziemienia.

-  - Nie wkładaj wtyczki zasilania do źródła zasilania. szuflady i nie wyciągaj z el. gniazda z mokrymi rękami i ciągnąc za zasilaczem!
- Nie używaj przedłużaczy ani gniazd.

INSTRUKCJA OBSŁUGI

Ważne!

Przed pierwszym uruchomieniem urządzenia należy odkleić folię ochronną oraz przemyć płytę niewielką ilością wody z płynem do mycia naczyń. Ponadto, pierwsze uruchomienie płyty wiąże się z jej wypaleniem, co trwa ok. 15÷20 min. W tym czasie z urządzenia może wydobywać się nieprzyjemny zapach.

W modelach FT-60, czyli we wszystkich urządzeniach z płytą grzewczą dzieloną, temperaturę każdej części można ustawiać niezależnie, w zależności od potrzeb.

- Włączamy głównym wyłącznikiem A.
- Pokrętkiem regulatora temperatury D nastawiamy żądaną temperaturę.
- Kontrolka pomarańczowa B świeci gdy urządzenie jest włączone do sieci elektrycznej.
- Kontrolka zielona C świeci w trakcie grzania. Gdy zgaśnie – płyta jest rozgrzana do żądanej temperatury.
- Płytę wyłączamy ustawiając regulator temperatury D w położenie „0” oraz wyłączając główny wyłącznik A.



Pojemnik na zbieranie tłuszczu

W dolnej części przedniego panelu obudowy znajduje się wysuwana szufladka E – pojemnik, do której ocieka tłuszcz gromadzący się na płycie grzewczej. Pojemnik należy regularnie kontrolować i w razie potrzeby oczyścić.

CZYSZCZENIE I KONSERWACJA

Zaleca się kontrolę urządzenia przez profesjonalny serwis 2 razy w roku. Wszystkie interwencje w urządzeniu może przeprowadzać tylko przeszkolona osoba, która ma wymagane do tego uprawnienia.

Uwaga! Przed rozpoczęciem używania urządzenia należy ściągnąć z całej powierzchni folię ochronną oraz przemyć urządzenie wodą z płynem do naczyń, a następnie przetrzeć wilgotną szmatką.

- Czyszczenie przede wszystkim powierzchni, która jest w kontakcie z żywnością musimy przeprowadzać codziennie i bardzo dokładnie.
- Części nierdzewnych nie wolno czyścić pastami gruboziarnistymi lub środkami agresywnymi.
- Do czyszczenia nie używać papierów ściernych.
- W razie silnego zabrudzenia powierzchni dopuszczalne jest użycie gąbki z utwardzoną powierzchnią.
- Urządzenie czyścić wyłącznie zimne - w przeciwnym wypadku grozi to oparzeniem.
- W czasie dłuższej przerwy w eksploatacji urządzenia należy je zakonserwować olejem jadalnym i wyłączyć zasilanie elektryczne.
- Urządzenia nie należy czyścić wodą pod ciśnieniem (z węża).

Czyszczenie i konserwacja płyty stalowej:

- rozgrzać
- wyłączyć
- oczyścić metalową szpachelką
- nanieść wodę z odpowiednim środkiem chemicznym (np. RM Grill) i wytrzeć resztki brudu i osadów
- nanieść czystą wodę (odpowiedni jest roztwór z octem lub sokiem z cytryny)
- zebrać wodę i osuszyć powierzchnię szmatką
- pozostawić, aby resztki wilgoci wyparowała z płyty (dobrze jeśli będzie jeszcze ciepła)
- posmarować płytę grilla olejem roślinnym

Czyszczenie i konserwacja płyty chromowanej:

- rozgrzać
- wyłączyć
- oczyścić szpachelką z tworzywa
- nanieść wodę z detergentem i wyczyścić gąbką
- nanieść czystą wodę
- zebrać wodę i osuszyć powierzchnię szmatką
- pozostawić, aby resztki wilgoci wyparowała z płyty (dobrze jeśli będzie jeszcze ciepła)



W razie awarii:

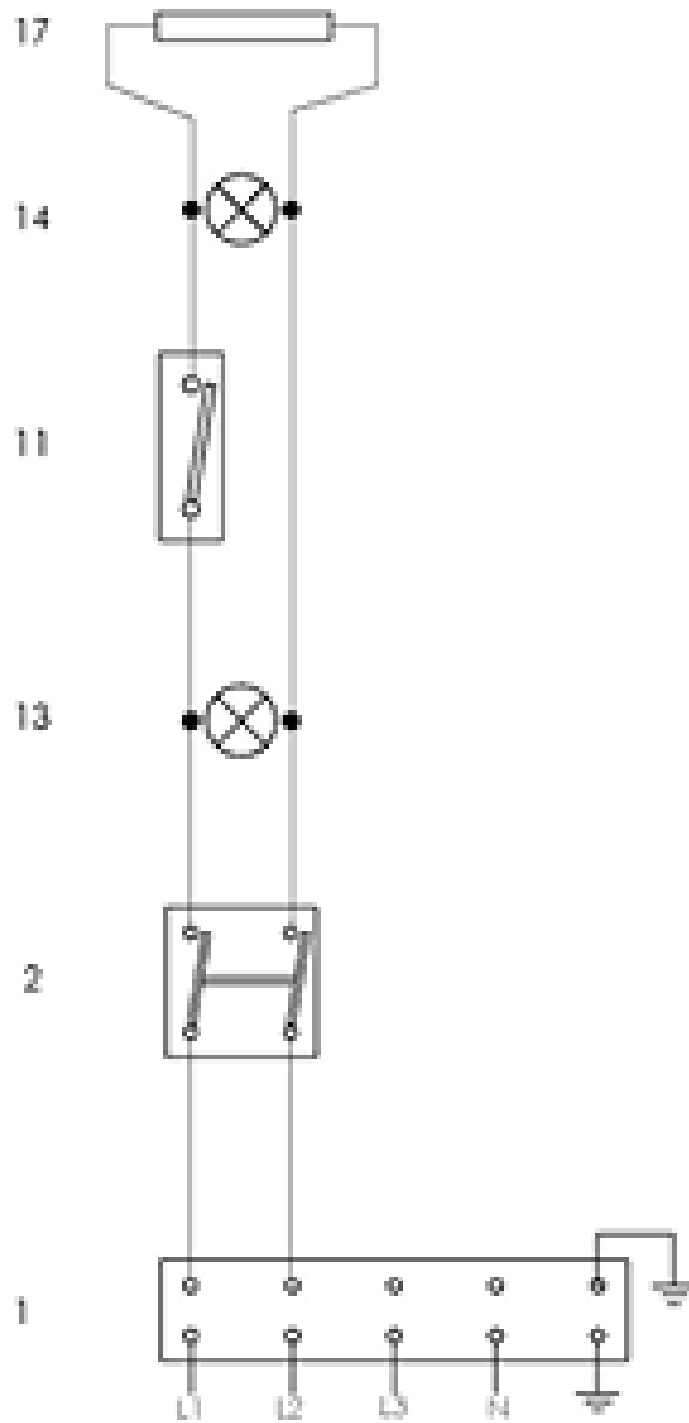
Odłączyć zasilanie elektryczne. Wezwać autoryzowany serwis.

GWARANCJA

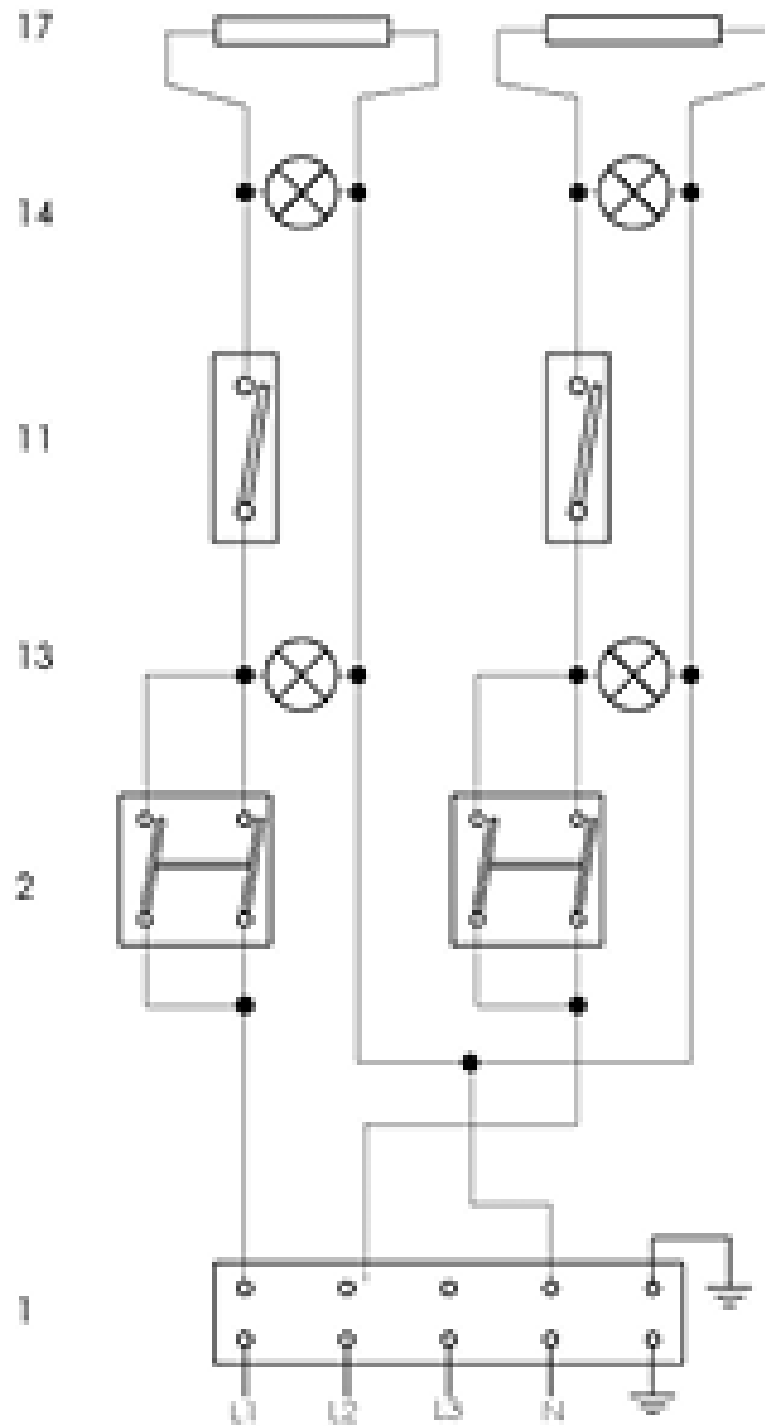
Gwarancja nie obejmuje żadnych części, które podlegają naturalnemu zużyciu (uszczelki, żarówki, części plastikowe i szklane itp.) Gwarancja nie obejmuje również urządzenia jeśli podłączone było nie zgodnie z instrukcją lub przez osoby nie posiadające odpowiednich uprawnień. Gwarancja nie obejmuje uszkodzeń spowodowanych warunkami atmosferycznymi lub przez osoby trzecie.

SCHÉMA ZAPOJENÍ

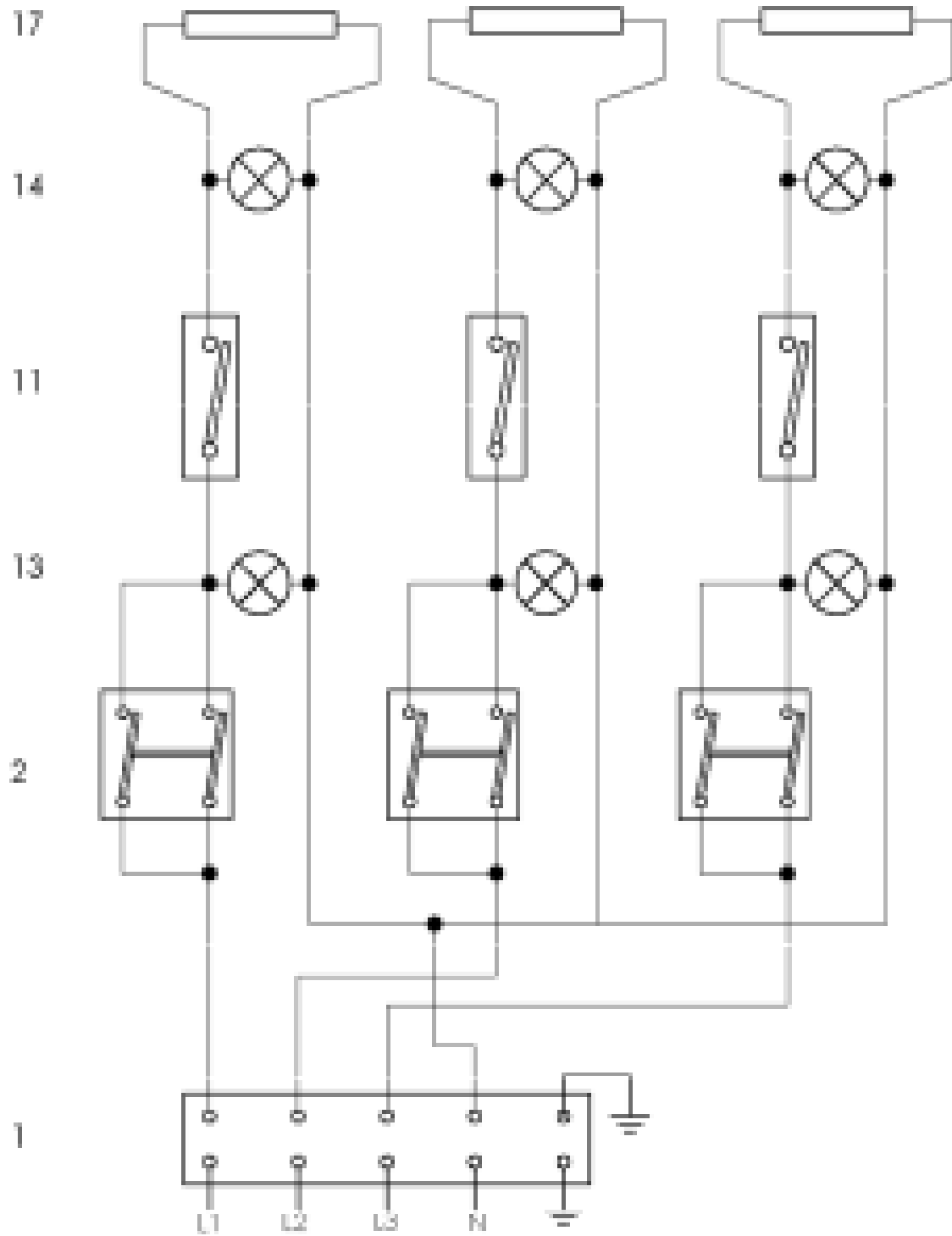
SCHEMAT PODŁĄCZENIA: FT**30 E_EL



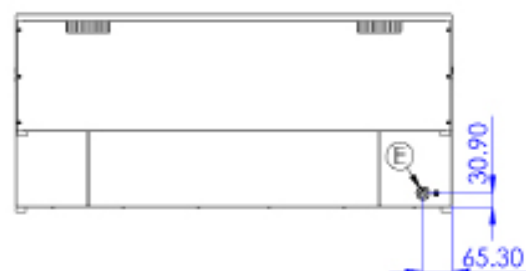
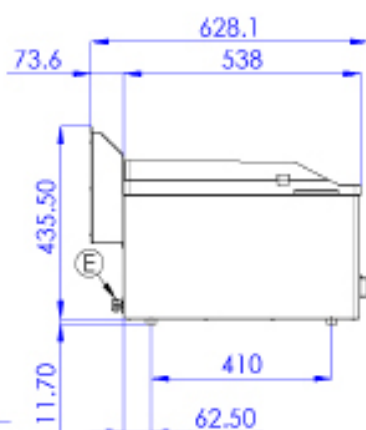
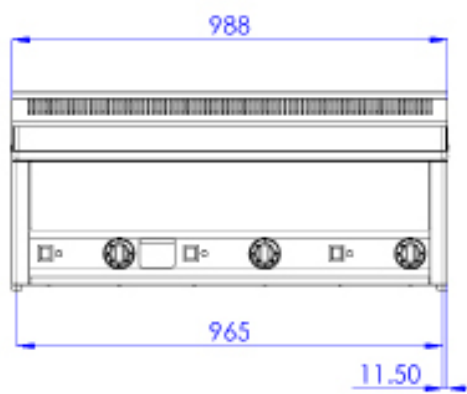
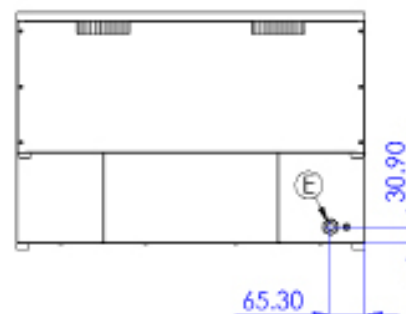
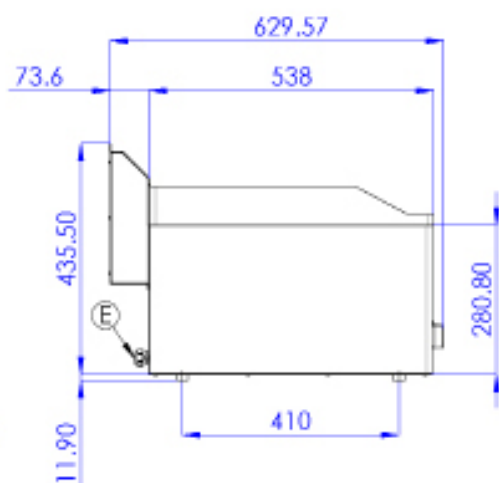
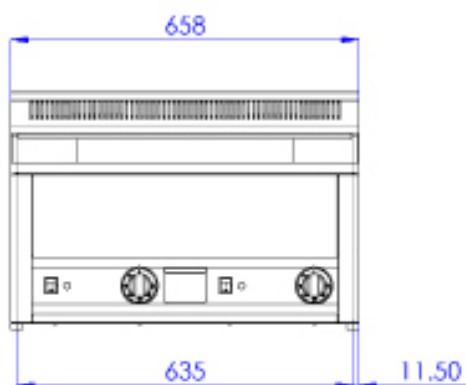
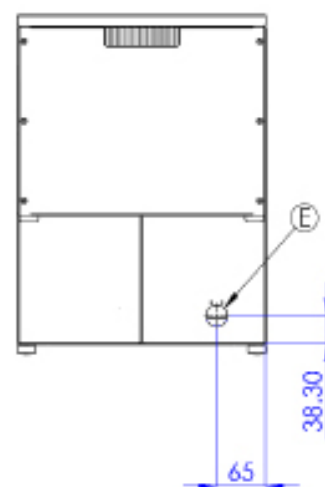
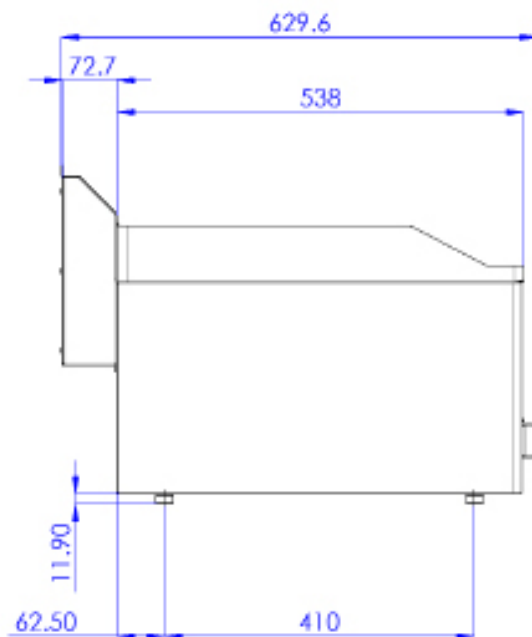
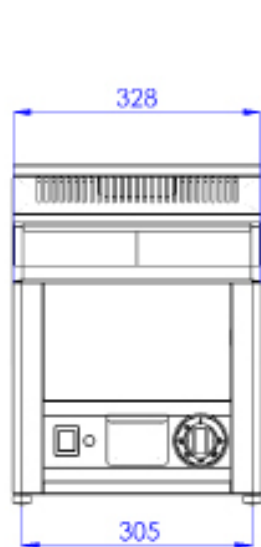
SCHEMAT PODŁĄCZENIA: FT**60 E_EL



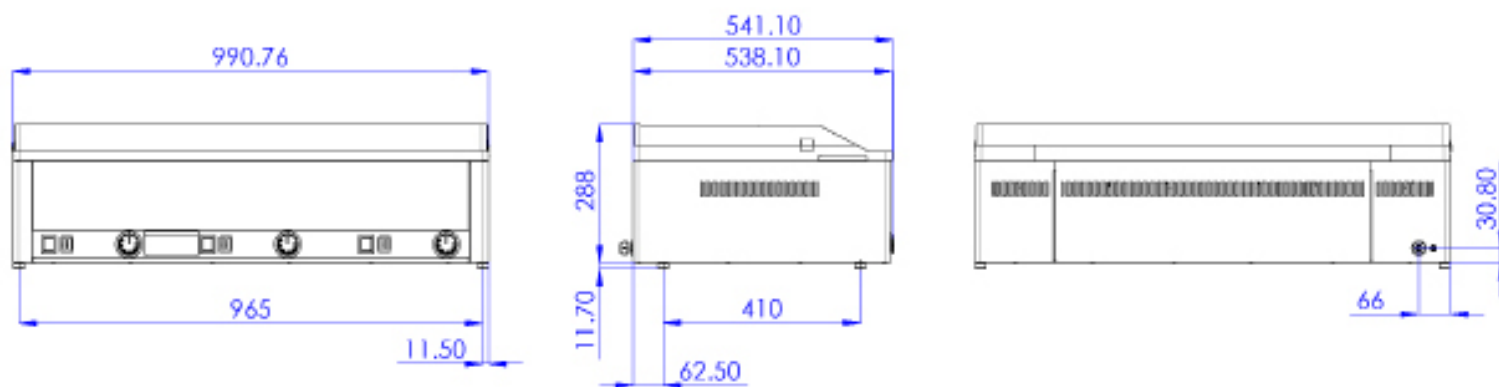
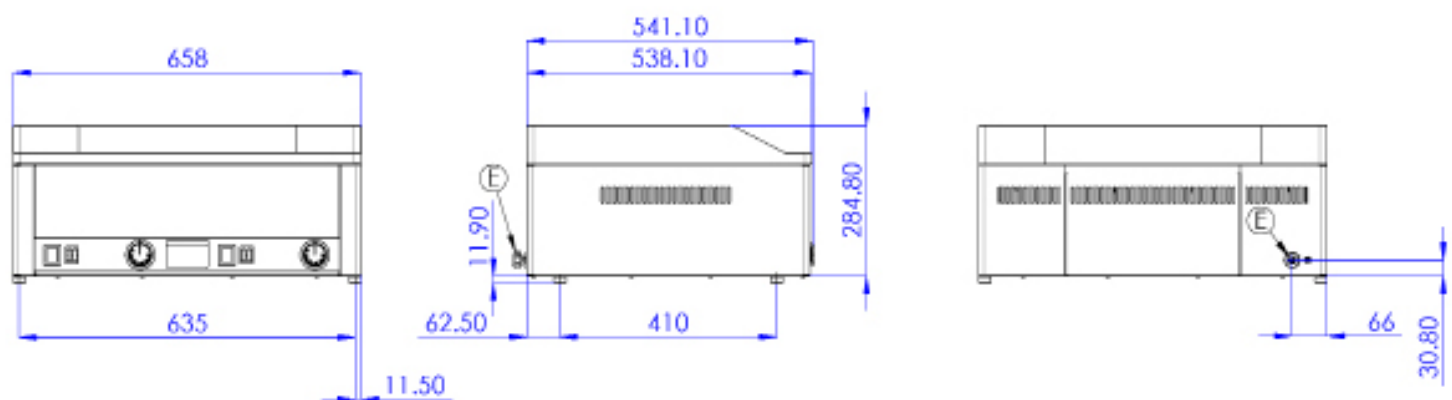
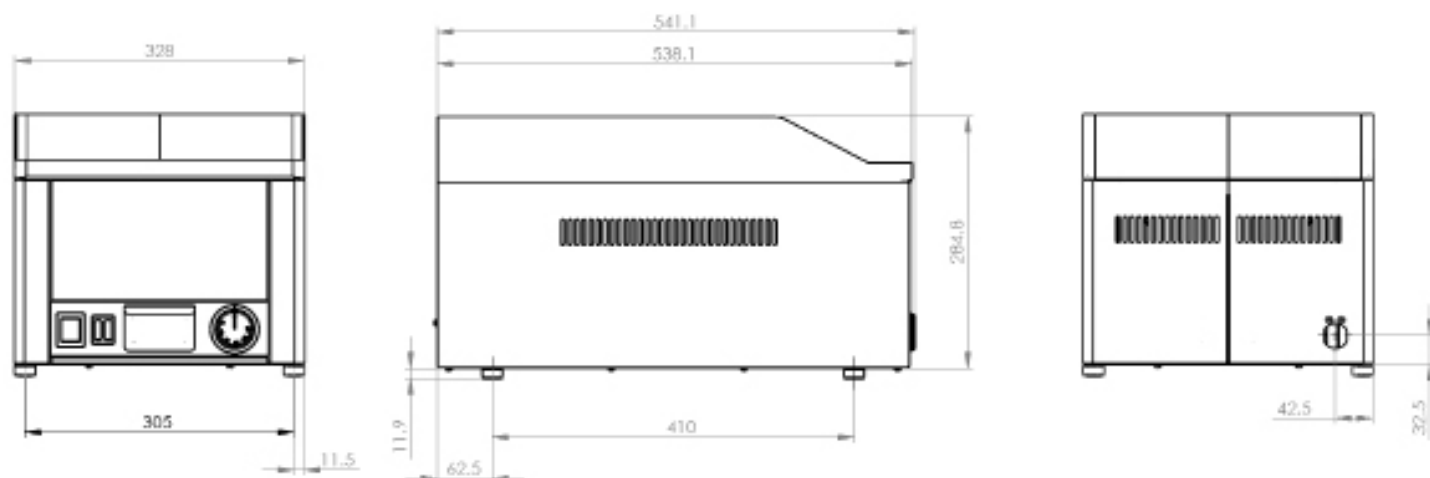
SCHEMAT PODŁĄCZENIA: FT**90 E_EL



ROZMĚROVÝ OBRÁZEK: FT* - 30/60/90 EL
RYSUNEK WYMIAROWY: FT* - 30/60/90 EL



ROZMĚROVÝ OBRÁZEK: FT* - 30/60/90 E
RYSUNEK WYMIAROWY: FT* - 30/60/90 E



DICHIARAZIONE SULLA CONFORMITÀ CON LE NORMATIVE

Il produttore dichiara che gli apparecchi sono conformi alle norme 2004/108/ES, 2006/95/ES legge nr.616/2006 coll. 17/2003 e corrispondenti direttive di governo. L'installazione deve essere eseguita secondo le norme in vigore. Attenzione - il produttore declina qualsiasi responsabilità per eventuali danni, diretti o non diretti, causati da un'installazione scorretta, manomissioni o modifiche, manutenzione insufficiente, uso improprio o da altri motivi menzionati nelle condizioni di vendita. Questo apparecchio è stato concepito esclusivamente per l'uso professionale e deve essere utilizzato da persone qualificate. Le impostazioni originali predisposte dal produttore, non possono essere modificate dall'utente.

La etichetta con i dati tecnici è posta sulla parte posteriore dell'apparecchio. Per l'installazione attenersi scrupolosamente allo schema elettrico e ai dettagli di collegamento. Leggere tutte le informazioni seguenti:

DATI TECNICI

TIPO	TENSIONE (V)	POTENZA (KW)	DIMENSIONI PIASTRA (CM)	DIMENSIONI (CM)
FTH - 30EL	230	3	32 x 48	33 x 60 x 29 v
FTR - 30EL	230	3	32 x 48	33 x 60 x 29 v
FTHC - 30EL	230	3	32 x 48	33 x 60 x 29 v
FTRC - 30E	230	3	32 x 48	33 x 60 x 29 v
FTH - 60EL	400	6	65 x 48	66 x 60 x 29 v
FTHR - 60EL	400	6	65 x 48	66 x 60 x 29 v
FTHC - 60EL	400	6	65 x 48	66 x 60 x 29 v
FTHRC - 60EL	400	6	65 x 48	66 x 60 x 29 v
FTH - 90EL	400	9	97 x 48	99 x 60 x 29 v
FTHC - 90EL	400	9	97 x 48	99 x 60 x 29 v

CONTROLLO DELL'IMBALLAGGIO E DELL'APPARECCHIO

I forni pizza sono spediti dal nostro magazzino in appositi imballi di protezione con tutti i corrispondenti simboli e sigle. Nell'imballo si trova il manuale d'uso. Controllare all'arrivo che l'apparecchio non abbia subito danneggiamenti durante il trasporto e che lo stesso sia completo nelle sue parti come da ordine. Nel caso di danni visibili reclamare immediatamente al vettore annotando sul documento relativo al trasporto il danno riscontrato. Ulteriori reclami non verranno presi in considerazione.

Prima dell'uso leggere bene questo manuale in quanto fornisce informazioni importanti per una corretta installazione e gestione dell'apparecchio con particolare attenzione alla sicurezza.



-Il prodotto è destinato all'uso negli spazi interni. Non usare l'apparecchio se il cavo di alimentazione o la spina sono danneggiati, se non funziona correttamente, è danneggiato dopo una caduta a terra o in acqua.

In tali casi, portate l'apparecchio ad un servizio specializzato per verificarne la sua sicurezza e il corretto funzionamento.

- Le informazioni nel presente manuale riguardano esclusivamente il prodotto o linea dei prodotti per cui sono fornite (forni pizza elettrici).

- Conservare con cura il presente manuale.

- L'uso di questo apparecchio non è consentito ai bambini.

- In caso di vendita o di spostamento dell'apparecchio, verificare che gli utenti oppure il centro di assistenza sono stati addestrati all'uso secondo le istruzioni d'installazione contenute in questo manuale.

- L'apparecchio può essere utilizzato solo dal personale che conosce perfettamente le norme di sicurezza contenute in questo manuale.

- L'apparecchio può essere messo in funzione e usato solo sotto sorveglianza.

- È consigliato un controllo da un centro di assistenza autorizzato almeno due volte all'anno.

- Per riparazione o sostituzione dei componenti difettosi devono essere utilizzati solo i ricambi originali dal produttore.

- Non lavare mai l'apparecchio con getti d'acqua e idropulitrici.

- In caso di guasto o malfunzionamento dell'apparecchio, scollegare immediatamente dalla rete elettrica e chiamare un centro di assistenza autorizzato.

Questo apparecchio può essere usato solo allo scopo per il quale è stato concepito, ogni altro uso è da considerarsi improprio e quindi pericoloso (pericolo di infortuni).

Deve essere garantita la più stretta osservanza delle prescrizioni di protezione antincendio.

- Il produttore declina ogni responsabilità o impegno di garanzia per danni dovuti ad una installazione non conforme oppure ad inosservanza delle prescrizioni.

Altrettanto vale in caso di uso improprio dell'apparecchio da parte dell'operatore.

POSIZIONAMENTO

Per assicurare un corretto funzionamento, l'apparecchio deve essere installato in un posto ben ventilato, secondo le norme vigenti. Se l'apparecchio dovesse essere posto vicino al muro oppure se in contatto con le pareti dei mobili, essi devono essere resistenti alla temperatura fino ai 60 °C. L'installazione, messa in funzione e regolazione devono essere eseguite dalla persona qualificata e autorizzata secondo le norme in vigore.

Dopo aver tolto l'imballo, controllare che l'apparecchio non si sia stato danneggiato durante il trasporto. Posizionare l'apparecchio su una superficie piana (dislivello massimo fino ai 2°). Piccoli dislivelli possono essere eliminati agendo sui piedini regolabili. Posizionare l'apparecchio sotto una cappa aspirante per eliminare i vapori e cattivi odori durante la cottura. Il prodotto può essere posto in opera o come un apparecchio singolo oppure in linea con altri apparecchi di nostra produzione. Mantenere la distanza minima di 10 cm dai materiali infiammabili. In caso contrario provvedere all'isolamento termico delle parti infiammabili secondo la direttiva EN 061008.

ELEMENTI DI SICUREZZA DAL PUNTO DI VISTA DI PROTEZIONE CONTRO L'INCENDIO SECONDO LA NORMA EN 061008 ART. 12-2:

- L'apparecchio può essere utilizzato solo da persone adulte
- L'apparecchio può essere usato in ambienti ordinari, secondo la norma EN 332000.1. Nel caso in cui si stiano effettuando lavori che potrebbero dar luogo a temporanee formazioni di gas o di vapori infiammabili con il rischio di incendi od esplosioni (per esempio incollaggio di linoleum, PVC, ect) l'apparecchio deve essere spento in largo anticipo.
- L'apparecchio deve essere posizionato su una superficie non infiammabile con area superiore a quella del piano dell'apparecchio di almeno 10 cm su tutti i lati. Sull'apparecchio o nelle vicinanze dello stesso, non devono essere posti oggetti che contengano i materiali infiammabili (rispettare la distanza minima di sicurezza di 10 cm tra l'apparecchio ed eventuali materiali infiammabili).

Tabella: punto di infiammabilità dei materiali di costruzione secondo le norme vigenti:

A – non infiammabili	granito, pietra arenaria, cemento, mattoni, piastre ceramiche, intonaci
B – non facilmente infiammabili	akumin, eraclite, lihnos, itaver
C1 – difficilmente infiammabili	legno, legno compensato, sirkoklit, carta indurita, formica
C2 – infiammabilità media	lastre in truciolato, solodur, tavole in sughero, gomma, rivestimenti per pavimenti
C3 – facilmente infiammabili	tavole in fibra di legno, polistirolo, poliuretano, PVC

Durante l'installazione devono essere rispettate anche le relative regole di progettazione, sicurezza ed igiene secondo le norme.

- EN 061008 sicurezza antincendio delle apparecchiature e fonti di calore locali
- EN 33 2000-4-482, EN 33 2000-4-42

INSTALLAZIONE



L'installazione, messa a punto, modifica dell'impianto ad un'altro tipo di gas e la messa in funzionamento, devono essere realizzati da parte di un operatore qualificato e autorizzato a tale tipo di operazioni, e questo secondo le rispettive normative in vigore. L'utilizzatore può essere installato solo negli ambienti ben ventilati. Se risulta possibile, l'apparecchio dovrebbe essere posizionato sotto la cappa, per assicurare una perfetta evacuazione dei residui della combustione del gas. Per il bruciamento occorre poi l'adduzione dell'ossigeno (l'aria).

L'apparecchio può essere installato in modo autonomo, oppure in serie, con gli apparecchi della nostra produzione. Occorre comunque il rispetto di una distanza minima – di 10 cm, dagli altri oggetti, prevenendo in tal modo il contatto dell'apparecchio con materiali infiammabili. In tal caso bisogna provvedere alle modifiche corrispondenti, per assicurare un isolamento termico delle parti infiammabili (per esempio installare tra l'apparecchio e il materiale infiammabile una lastra di amianto).

ISTRUZIONI PER L'USO

Prima che cominciate ad usare l'apparecchio è necessario lavarlo bene con un panno morbido inumidito in una soluzione di acqua e sapone neutro. Dopo asciugate accuratamente. Non lasciate mai funzionare l'apparecchio senza la sorveglianza. Cassetto raccogligrassi E necessario controllare il cassetto regolarmente e svuotarlo sempre in tempo. Pulite il cassetto dopo ogni spegnimento dell'apparecchio.

ISTRUZIONE PER L'USO

Prima che cominciate ad usare l'apparecchio è necessario lavarlo bene con un panno morbido inumidito in una soluzione di acqua e sapone neutro. Dopo asciugate accuratamente. Non lasciate mai funzionare l'apparecchio senza la sorveglianza.

Cassetto raccogligrassi

È necessario controllare il cassetto regolarmente e svuotarlo sempre in tempo. Pulite il cassetto dopo ogni spegnimento dell'apparecchio.

Note e raccomandazioni

Gli apparecchi che hanno la piastra divisa in due parti, (60) e possibile impostarli a temperature diverse su ciascuna parte oppure può essere usata solo una metà.

Accendete l'interruttore generale (D), girate la manopola (A) e impostatela alla potenza desiderata. I led (B) e (C) si accendono. Il led (B) lampeggia se l'apparecchio è sotto la corrente elettrica. Il led (C) lampeggia, se le resistenze sono in funzione. Il led (C) si spegne quando l'apparecchio ha raggiunto la temperatura impostata. L'apparecchio si spegne se girate la manopola (A) nella posizione „0“. Spegnete con l'interruttore (D).

Cassetto per superfl grasso ui

È necessario controllare regolarmente il cassetto e svuotarlo nel tempo. È necessario pulire il cassetto dopo ogni commutazione dispositivo.

DOPO L'USO LUBRIFICARE DI LAVORO OLIO VEGETALE DI SUPERFICIE



PULIZIA E MANUNTENZIONE



ATTENZIONE: L'apparecchio non deve essere pulito sotto getti d'acqua diretti o con le idropulitrici a pressione. Non usate mai i mezzi abrasivi o corosivi. L'apparecchio deve essere pulito giornalmente. La manutenzione giornaliera prolunga la vita e funzione efficace dell'apparecchio. Prima di cominciare ad eseguire le operazioni di pulizia verificate se avete scollegato l'apparecchio dalla rete elettrica. Sempre scollegate il cavo generale. L'apparecchio può essere pulito solamente se è spento e raffreddato. Pulite l'apparecchio regolarmente.

Scollegate l'alimentazione elettrica e chiamate un centro d'assistenza autorizzato che può effettuare tutte le riparazioni.

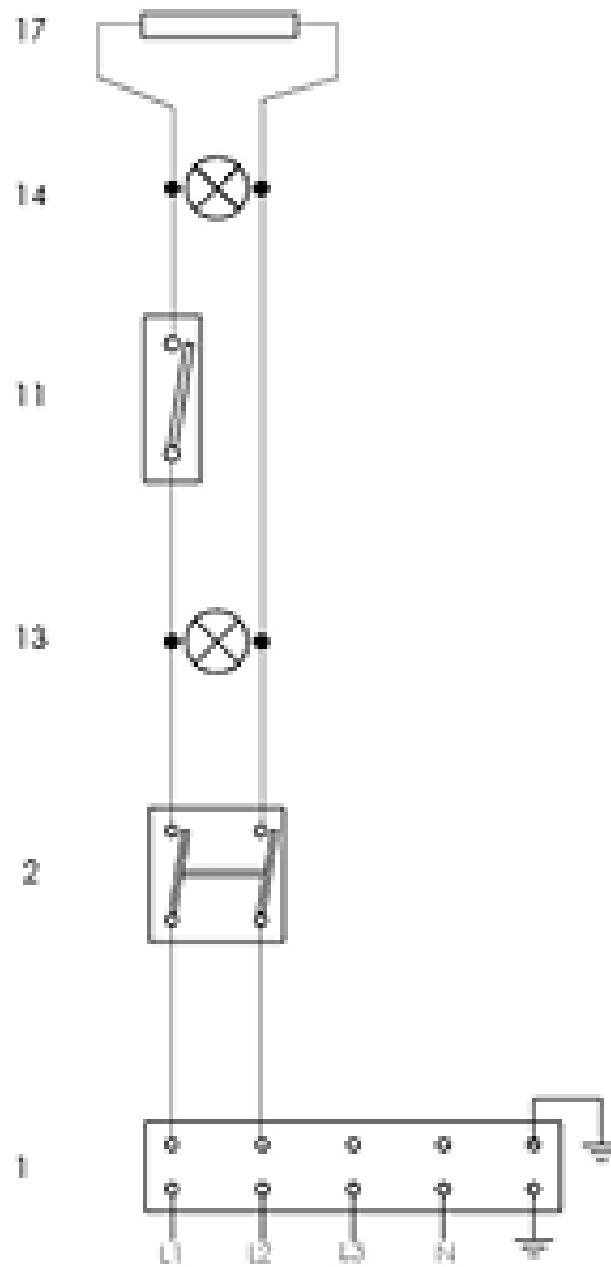
AVVERTENZE IMPORTANTI

La garanzia non include le guarnizioni di gomma, parti di vetro e plastiche. Non copre le parti soggetti alla usura ordinaria. Non copre i danni causati da un'installazione incorretta, eseguita da un personale autorizzato e con inosservazione delle normative vigenti e delle regole incluse in questo manuale, e da una manipolazione non professionale (manomessa nell'interno dell'apparecchio). La garanzia non include i danni causati dalle influenze naturali.

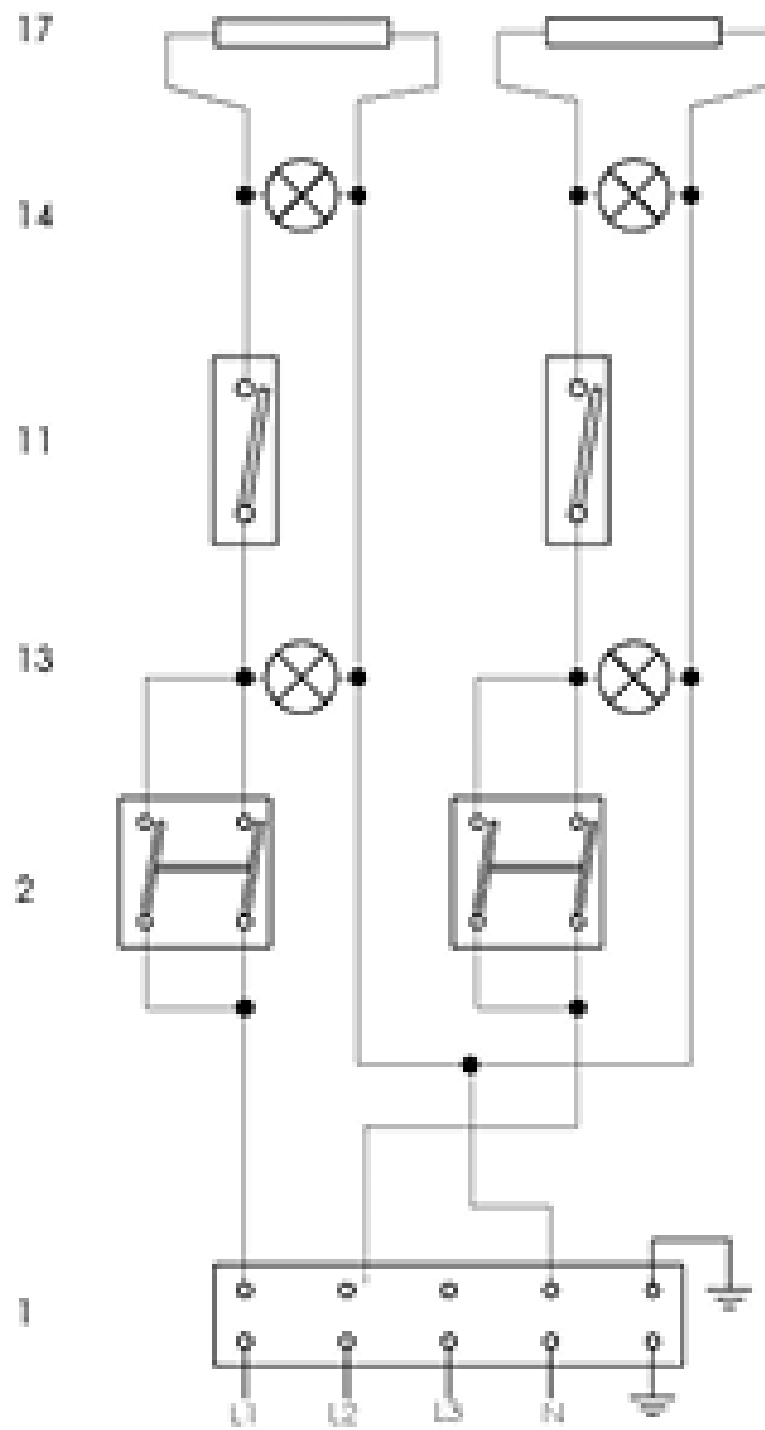
Dopo il raffreddamento, schiumare l'olio. Periodicamente, filtrare l'olio freddo (dopo un certo numero di frittiture) travasando l'olio in un altro contenitore con un colino, pulire la friggitrice con acqua calda e asciugarla bene. Per togliere la vasca, sollevare la testata con le resistenze di riscaldamento - che devono essere accuratamente pulite - facendo attenzione a non danneggiare il bulbo.

Dopo aver realizzato le operazioni di filtrazione e pulizia, riempire nuovamente la friggitrice e, se necessario, rabboccare il livello dell'olio aggiungendone di nuovo.

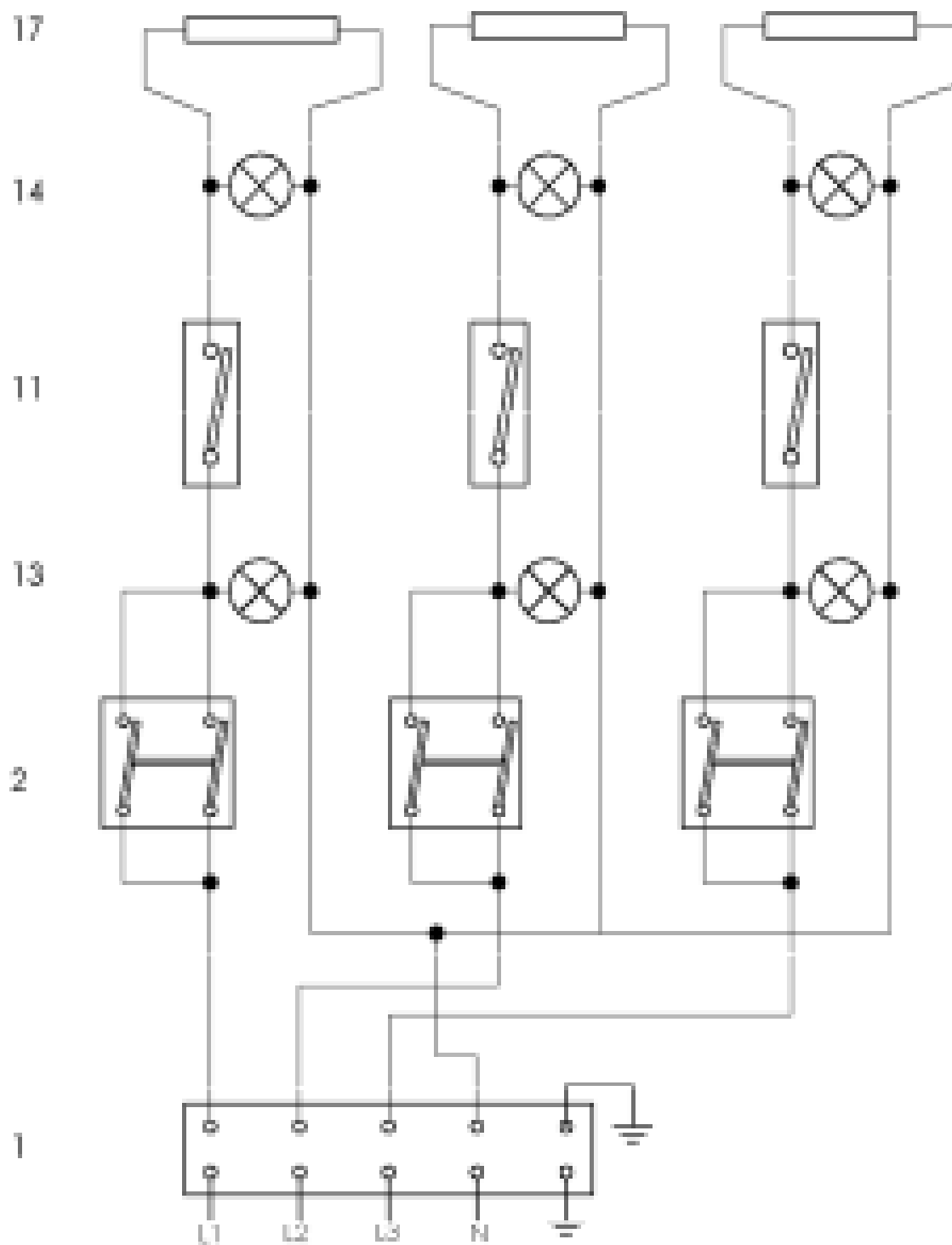
SCHEMA DI CONNESSIONE: FT*30



SCHEMADI CONNESSIONE: FT*60



SCHEMADI CONNESSIONE: FT*90



DECLARAȚIE DE CONFORMITATE CU NORMELE

Producătorul declară că aparatele sunt conforme cu normele 2014/30/EU, 2014/35/EU, cu legea nr. 117/2016 Sb., 118/2016 Sb. și cu prevederile relevante ale Guvernului. Instalarea trebuie efectuată în conformitate cu normele actuale. Atenție, producătorul nu-și asumă răspunderea în cazuri de defecțiuni directe sau indirecte, datorate instalării sau modificărilor incorecte, întreținerii necorespunzătoare, utilizării defectuoase, sau care sunt rezultatul altor cauze decât cele menționate în punctul despre condițiile vânzării. Acest aparat este destinat exclusiv spre utilizare specializată și trebuie deservit de către personal calificat. Piese, care au fost sigilate de către producător sau un lucrător împuternicit în acest sens nu pot fi remontate

DATE TEHNICE

Menționăm faptul că echipamentul cu caracteristicile tehnice descrise în prezentul manual nu se încadrează în categoria echipamentelor pentru uz casnic, echipamentul fiind destinat în exclusivitate uzului comercial, de către personal calificat.

Tip	TENSIUNE (V / Hz)	PUTERE (kW)	Controlul temperaturii (°C)	PLATE (cm)	DIMENSIUNE (cm)
FTH - 30 EL	230 / 50	3,0	50 - 300	32 x 48	33 x 60 x 29 v
FTR - 30 EL	230 / 50	3,0	50 - 300	32 x 48	33 x 60 x 29 v
FTH - 60 EL	400 / 3N / 50	6,0	50 - 300	65 x 48	66 x 60 x 29 v
FTHR - 60 EL	400 / 3N / 50	6,0	50 - 300	65 x 48	66 x 60 x 29 v
FTH-C - 30 EL	230 / 50	3,0	50 - 300	32 x 48	33 x 60 x 29 v
FTR-C - 30 EL	230 / 50	3,0	50 - 300	32 x 48	33 x 60 x 29 v
FTH-C - 60 EL	400 / 3N / 50	6,0	50 - 300	65 x 48	66 x 60 x 29 v
FTHR-C - 60 EL	400 / 3N / 50	6,0	50 - 300	65 x 48	66 x 60 x 29 v
FTH - 90 EL	400 / 3N / 50	9,0	50 - 300	97 x 48	99 x 60 x 29 v
FTH-C - 90 EL	400 / 3N / 50	9,0	50 - 300	97 x 48	99 x 60 x 29 v

VERIFICAREA AMBALAJULUI ȘI APARATULUI

Aparatul iese din depozitele noastre ambalat în mod regulamentear, cu indicarea simbolurilor și însemnelor corespunzătoare. Ghidul de deservire corespunzător se găsește în ambalaj. Dacă ambalajul prezintă semne de manevrare necorespunzătoare sau urme de deteriorare, este necesar de atenționat transportatorul și de a face un proces verbal de deteriorare.

Avertismente importante

-Produsul este destinat utilizării numai în interior.

Nu folosiți niciodată dispozitivul cu sursa sau cablul de alimentare deteriorate sau dacă nu funcționează corect, a căzut pe jos și s-a deteriorat sau dacă a căzut în apă. În astfel de cazuri duceți dispozitivul la un service specializat pentru a se verifica siguranța și funcționarea corectă

- Acest ghid trebuie citit cu atenție pentru că conține informații importante despre securitate, instalare și utilizare
- Următoarele recomandări se aplică acestui produs
- Produsul este conform cu normele actuale
- Acest ghid trebuie păstrat pentru utilizarea ulterioară
- Împiedicați manipularea aparatului de către copii
- La vânzare sau relocare asigurați-vă că deservirea aparatului va fi efectuată în conformitate cu instrucțiunile din ghidul anexat
- Produsul poate fi deservit doar de către personalul instruit
- Poate fi utilizat doar pentru prepararea produselor alimentare
- Să nu fie lăsat fără supraveghere
- Se recomandă o inspectare specializată minim 1 data pe an
- În cazul unei reparații piesele trebuie înlocuite doar cu piese de schimb originale
- A nu se curăța produsul cu jet direct de apă sau apă sub presiune
- În caz de defectare sau disfuncție a aparatului se cere de a deconecta orice alimentare (apă, electricitate, gaz) și de apelat la un servis autorizat
- Producătorul nu-și asumă răspundere în cazul defecțiunilor datorate instalării incorecte, nerespectării avertismentelor susmenționate, utilizării în alte scopuri, etc.

INSTALAREA

Instrucțiuni tehnice pentru instalare și reglare

Destinat DOAR utilizării de către tehnicieni specializați.

Instrucțiunile următoare sunt destinate tehnicianului calificat pentru reparație: Toate operațiunile trebuie să fie efectuate cât mai atent și în conformitate cu normele actuale!!!

Important:

Orice activitate de reglare a aparatului trebuie efectuată după deconectarea acestuia de la rețeaua electrică. Dacă e nevoie de lăsat aparatul sub tensiune, se cere să fie mai atenți!

AMPLASAREA

Pentru asigurarea funcționalității aparatului, spațiul (bucătăria) unde va fi amplasat acesta trebuie să fie bine aerisit (referitor la aceasta: tehnicianul să urmeze normele actuale ale ČSN)

Dacă aparatul e instalat în așa fel încât are contact cu suprafața mobilierului, acestea trebuie să fie rezistente la temperaturi de 60°C. Instalarea, reglarea și darea în exploatare trebuie să fie efectuate de către o persoană calificată, care este autorizată în acest sens și în conformitate cu normele în vigoare.

Despachetați aparatul și verificați dacă nu a fost avariat în timpul transportării. Amplasați aparatul pe o suprafață orizontală (deviere maximă până la 2°). Amplasați aparatul sub hotă ca să fie eliminat mirosul și aburii.

Aparatul poate fi instalat separat sau în serie cu alte produse din gama noastră. Este necesar de a păstra o distanță minimă de 10cm de alte obiecte și de a evita contactul cu obiectele inflamabile. În astfel de cazuri se cere izolarea termică a pieselor inflamabile.

MĂSURI DE SECURITATE DIN PUNCT DE VEDERE AL PROTECȚIEI ÎMPOTRIVA INCENDIILOR CONFORM CSN EN 061008 ȚL. 21:

- Deservirea aparatului trebuie să fie asigurată de către persoane mature
 - Aparatul poate fi utilizat fără pericol în condiții obișnuite conform EN 332000-1
 - Aparatul trebuie amplasat în așa fel încât să fie fixat pe un suport neinflamabil
- Se interzice amplasarea obiectelor inflamabile pe aparat, precum și în apropierea acestuia la distanțe mai mici decât cele recomandate (distanța minimă recomandată este de 10cm)
- Distanțele sigure față de obiectele inflamabile și informațiile despre gradul de combustibilitate a materialelor de construcție sunt indicate în tabel

Tabel:

Gradul de combustibilitate a materialelor de construcție (EN 730823) după substanțe și produse

A neinflamabil	granit, var, beton, cărămidă, gresie ceramică, tencuiala
B greu inflamabile	placă fibrolemnoasă, fibre minerale
C1 dificil inflamabil	Lemn, foioase, hârtie întărită, placaj
C2 mediu inflamabil	plăci aglomerate din aşchii de lemn, plăci din plută, cauciuc, pardoseala din PVC
C3 ușor inflamabil	plăci fibrolemnoase, polistiren, poliuretan, PVC

Aparatul trebuie instalat într-un mod sigur. În timpul instalării trebuie respectate prevederile de siguranță, proiectare și igienă în conformitate cu:

- EN 06 1008 securitatea de incendiu a dispozitivelor locale și surselor de căldură
- EN 33 2000 mediul înconjurător pentru aparate electrice (33 2000-4-42; 33 2000-4-482)

CONECTAREA CABLULUI ELECTRIC LA REȚEA

Instalarea alimentării cu electricitate: conexiunea trebuie asigurată de sine stătătoare cu o siguranță corespunzătoare și în funcție de tensiunea aparatului instalat. Tensiunea aparatului poate fi verificată pe plăcuța producătorului din partea din spate a aparatului. Conectați aparatul direct la rețea și plasați un întrerupător între aparat și rețea, respectând distanța minimă de 3mm între contacte, și care să corespundă cu normele în vigoare și cu sarcina de lucru. Firul de împământare (galben-verzui) nu trebuie afectat de acest întrerupător.

În orice caz cablul de alimentare trebuie amplasat în așa fel încât temperatura lui să nu depășească în nici un loc cu 50 de grade pe cea a mediului înconjurător. Înainte de a conecta aparatul la rețea asigurați-va că:

- Siguranța alimentării și distribuția internă vor rezista la sarcina aparatului (vezi plăcuța)
- Conductoarele sunt împământate corespunzător, conform normelor (ČSN) și prevederilor legale
- Priza sau întrerupătorul alimentării sunt ușor accesibile

Nu ne asumăm nici un fel de răspundere în cazul nerespectării acestor norme și în cazul încălcării principiilor enunțate mai sus.

Înainte de prima utilizare îndepărtați folia protectoare de pe aparat și curățați-l așa cum scrie în capitolul „curățare și întreținere“.



- Nu introduceți stecherul de alimentare în priză cu mâinile ude și nici nu o scoateți trăgând de sursa de alimentare!
- Nu folosiți cabluri prelungitoare sau prize multiple.

Atențiune!

Înainte de utilizarea aparatului, acesta trebuie spălat bine cu apă și soluție pentru vase, iar apoi clătit cu apă curată.

Niciodată să nu lăsați aparatul pomit fără supraveghere.

Porniți cu întrerupătorul principal alimentarea cu electricitate, apăsați întrerupătorul (B) și cu conectorul (E) ajustați temperatura dorită în intervalul 50°C - 300°C. Beculețele de control (C) și (D) se vor aprinde. Beculețul (C) arde atunci când aparatul este alimentat cu electricitate. Beculețul (D) arde atunci când sunt în funcțiune reșourile electrice. Beculețul (D) se stinge când este atinsă temperatura selectată. Opriți aparatul prin rotirea conectorului (E) până în poziția „0” și comutați butonul (B) în poziția 0.

Container pentru colectare grasime.

Container trebuie să fie verificate în mod regulat și, în momentul în care golit. Recipientul trebuie să fie curățate după fiecare opriți aparatul.

DUPĂ FIECARE UTILIZARE, VOPSEA TABELUL OIL TAVĂ

PANOU DE CONTROL



- Ⓑ Principal
- Ⓒ Beculețele de control
- Ⓓ Beculețele de încălzire
- Ⓔ Buton de comandă
- Ⓕ Container pentru colectare grasime.

CURĂȚARE ȘI ÎNTREȚINERE

Este recomandat de a inspecta aparatul, cel puțin o dată pe an, de către un servis specializat. Orice intervenții asupra aparatului pot fi operate doar de către o persoană calificată, autorizată în acest sens.

ATENȚIE!!!

Este interzisă curățarea aparatului sub jetul de apă sau apă sub presiune. Curățați aparatul zilnic. Întreținerea zilnică prelungește eficiența și funcționalitatea aparatului. Înainte de a curăța aparatul, asigurați-vă că acesta este deconectat de la rețeaua electrică. Întotdeauna să opriți alimentarea principală a aparatului. Părțile de inox curățați-le cu o cârpă umedă cu soluție de săpun și fără particule tari, iar uscați-le prin ștergere. Nu folosiți soluții de curățat abrazive sau corozive. Înlăturați toate resturile de mâncare de pe suprafața de lucru, posibil și cu ajutorul unui șpaclu.

Zilnic, după utilizarea, trebuie unse suprafețele de contact ale robinetului de descărcare cu vaselină alimentară. La robinetul cu con, vaselina îi asigură și etanșeitatea. Niciodată nu goliți conținutul cazanului fără sita la deversor. Este pericol de astupare și deteriorare a robinetului.

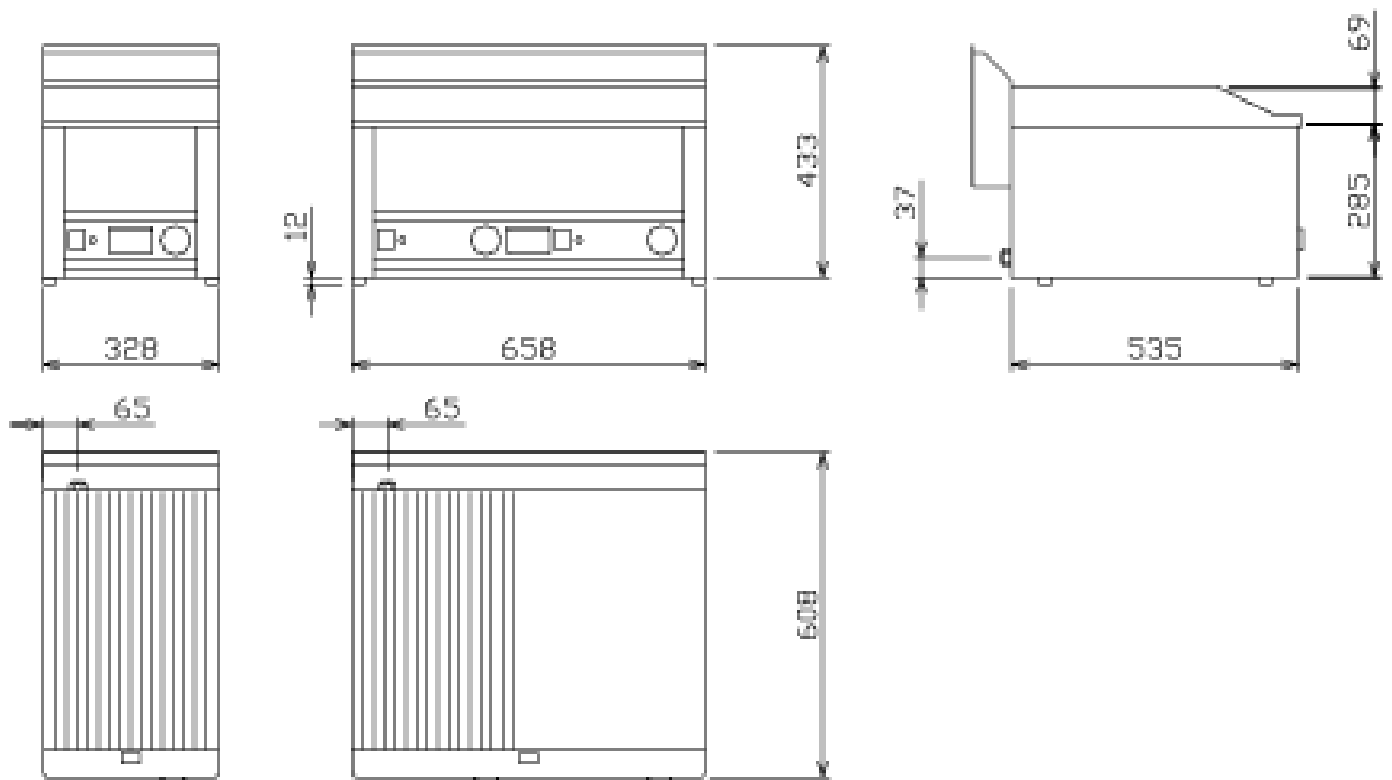
Procedeu în caz de disfuncție a aparatului

Opriți alimentarea cu electricitate și apelați servisul vânzătorului.

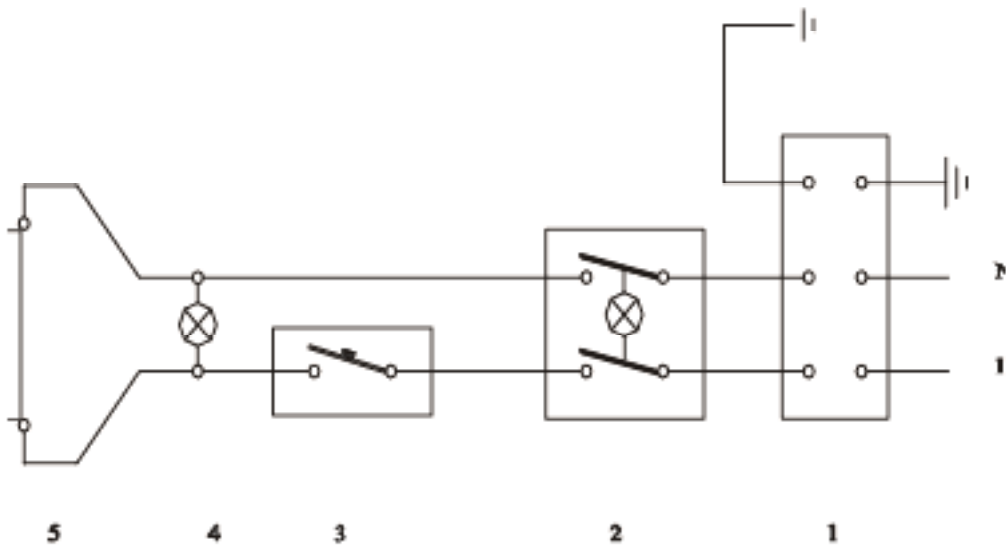
ATENȚIONARE

Garanția nu acoperă piesele consumabile care se uzează prin utilizare (garniturile din cauciuc, becurile, părțile din plastic și sticle, etc.). De asemeni garanția nu se aplică aparatelor a căror instalare a fost efectuată contrar normelor (de către o persoană autorizată conform normelor în vigoare) și nici în cazul manipulării defectuoase (intervenții în interiorul aparatului etc.) sau dacă a fost deservit de către personal neinstruit și contrar ghidului de utilizare. Garanția nu se aplica defectelor datorate efectelor naturii sau forței majore.

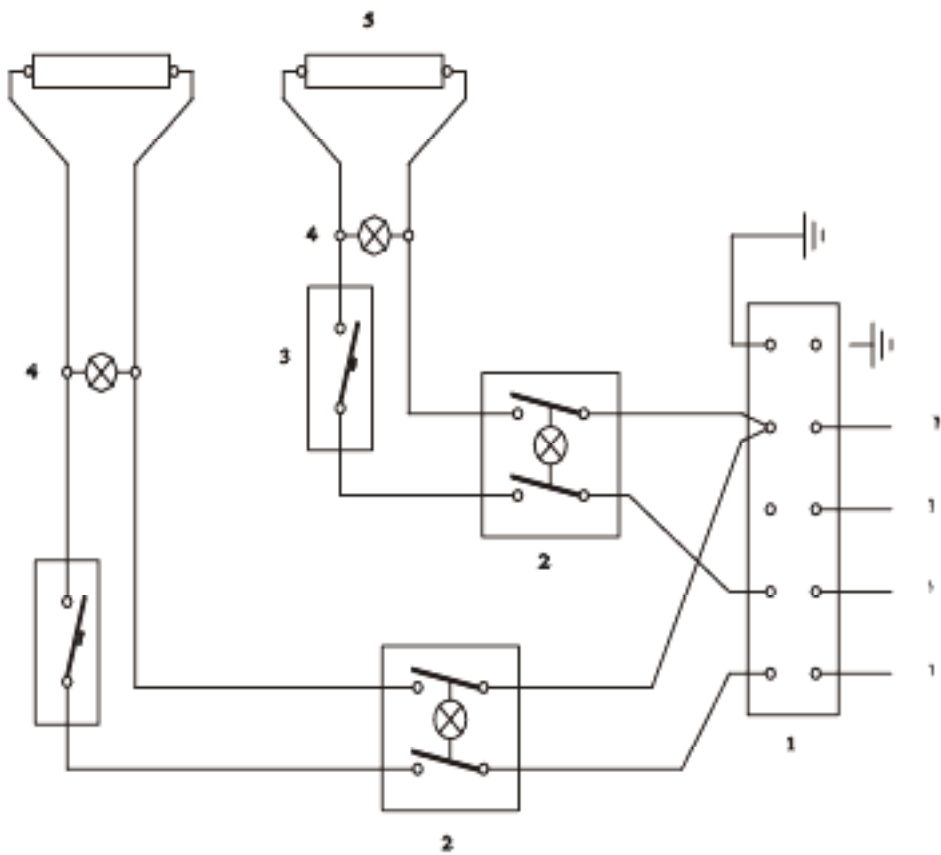
DIMENSIUNILOR IMAGINE



FT - 30



FT - 60



List of service organizations:

CZ: RM GASTRO CZ s. r. o., Náchodská 818/16, Praha 9

Tel. +420 281 926 604, info@rmgastro.cz, www.rmgastro.cz

SK: RM Gastro Slovakia, Rybárska 1, Nové Město nad Váhom

Tel.: +421 32 7717061, obchod@rmgastro.sk, www.rmgastro.sk

PL: RM GASTRO Polska Sp. z o. o., ul. Skoczowska 94, 43-450 Ustroń

Tel.: +33 854 73 26, www.rmgastro.pl